



28090

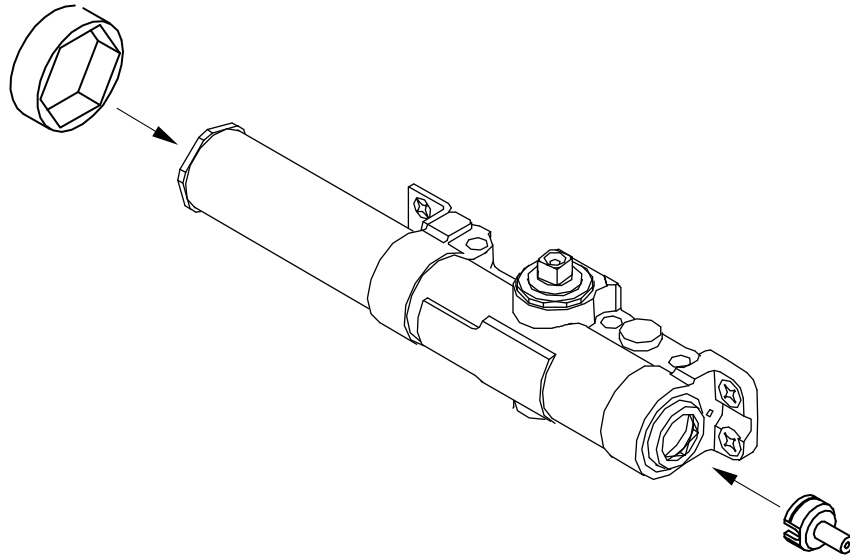
# Designer Series Cover

# LCN®

1461 Series

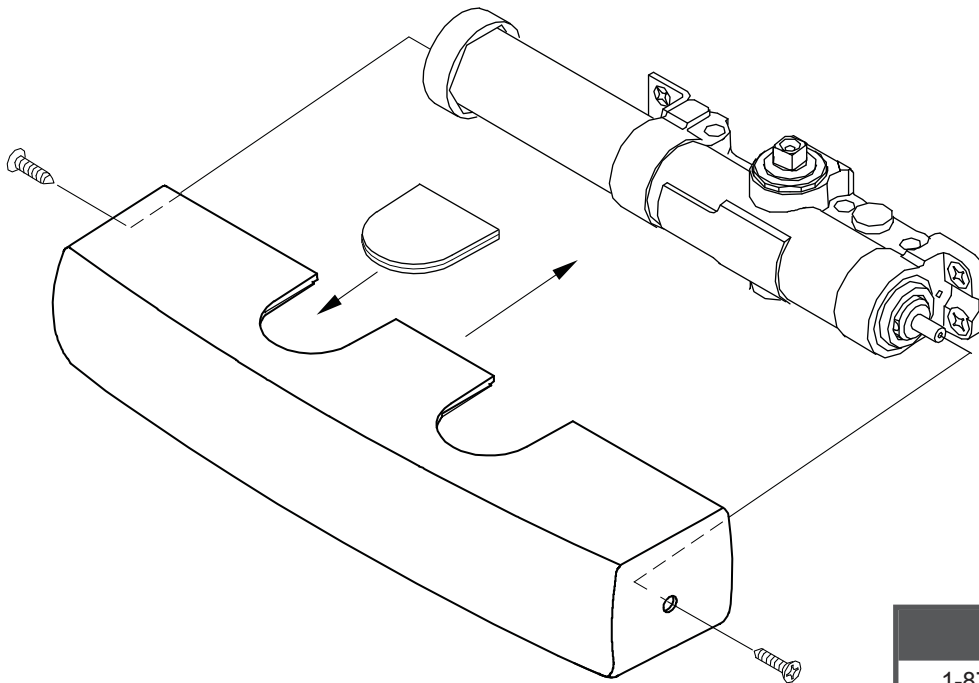
Installation Instructions

- 1** Attach white plastic cover adapters to both ends of door closer body.



- 2** Fit insert into proper cutout in cover.

- 3** Fit cover over closer body, aligning holes in ends of cover with holes in cover adapters.



**Customer Service**

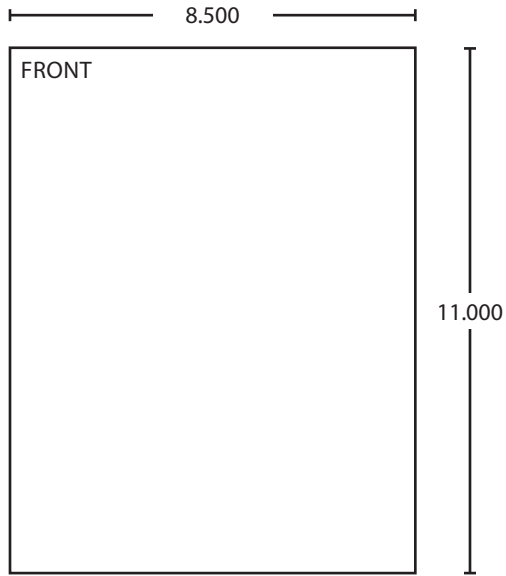
1-877-671-7011

[www.allegion.com/us](http://www.allegion.com/us)

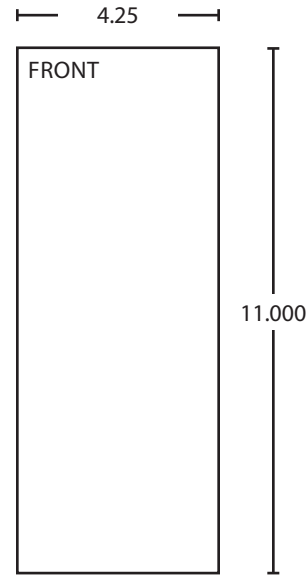
- 4** Insert & tighten screws provided.



© Allegion 2014  
Printed in U.S.A.  
28090 Rev. 01/14-d



BEGINNING SHEET



FOLDED SHEET

Additional Notes:
1. None

Revision History						Revision Description: D > Revised artwork					
A	B	C	D	E	F						
N/A	N/A	N/A	043812								
Material						Edited By		Approved By		EC Number	Release Date
White Paper						R. Byun		M. Sasso		043812	01-01-14
Notes						Title					
1. printed one side						1460 Series DS Cover Instruction Sheet					
2. printed black						Creation Date		Number		Revision	
3. tolerance ± .13						04-27-10		28090		D	
4. printed in country may vary						Created By		Activity		© Allegion 2014	
5. drawings not to scale						N/A		3899 Hancock Expwy Security, CO 80911			
						Software: InDesign CS6					