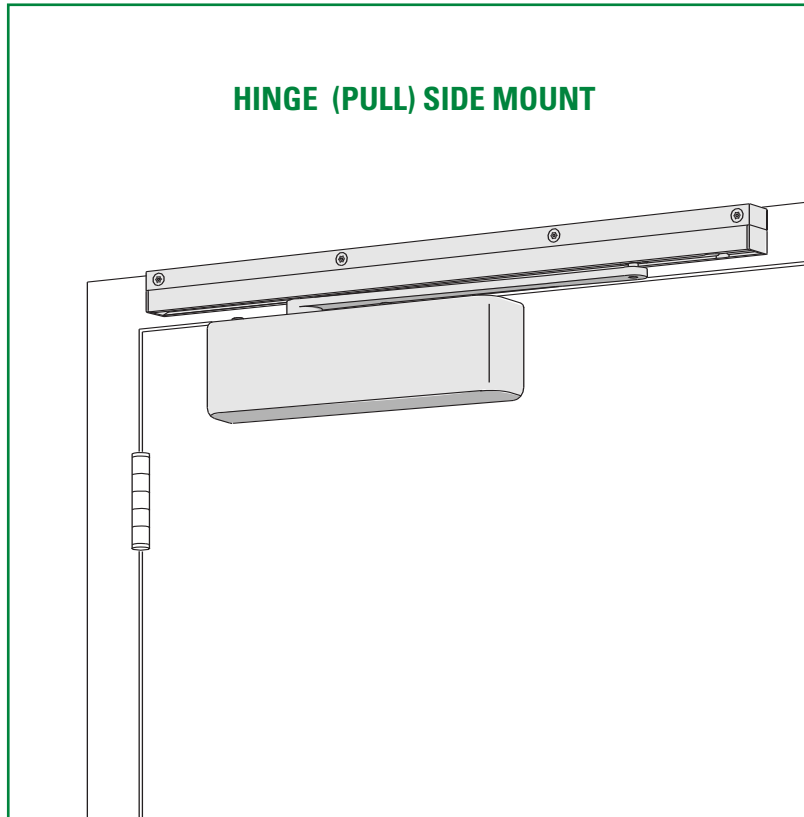


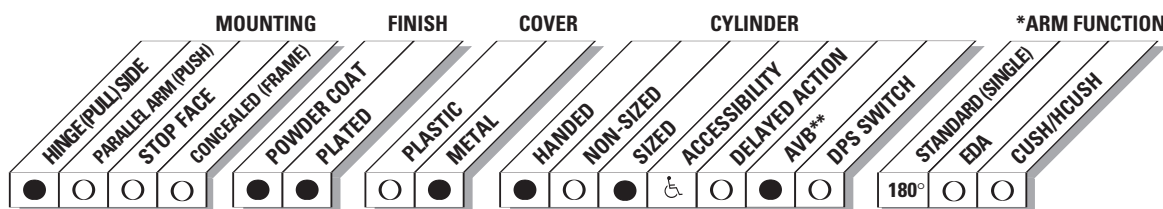
# LCN 4510T SERIES

FEATURES



*The 4510T SMOOTHIE® Series is a heavy duty, high security track closer with special components to minimize tampering and vandalism. Forged steel single lever arm and heavy gauge metal security cover are designed for correctional, vandal prone, institutional and other high traffic interior applications. The closer has passed 10,000,000 cycles in independent testing. A choice of finishes and cylinder functions meet correctional and vandal resistant requirements.*

- ▶ Standard 4510T series closer shipped with standard arm, security track. (non hold-open), track roller, metal security cover, and TORX Machine Screw pack. See 4510T Series page 21 for options.
- ▶ Sized cylinders for interior doors to 4'0".
- ▶ Closer mounts hinge side, specify right or left swinging door.
- ▶ 4511T cylinder meets ADA requirements. See 4510T Series page 22.
- ▶ Standard or optional custom powder coat finish.
- ▶ Optional SRI primer for installations in corrosive conditions.
- ▶ The 4510T Series is UL listed for self-closing doors.
- ▶ Tested and certified under ANSI Standard A156.4, grade one.



- Available
- Not available

♿ Closer available with less than 5.0 lbs. opening force on 36" door.

\*Maximum opening with standard template.

\*\* Advanced Variable Backcheck

# LCN 4510T SERIES

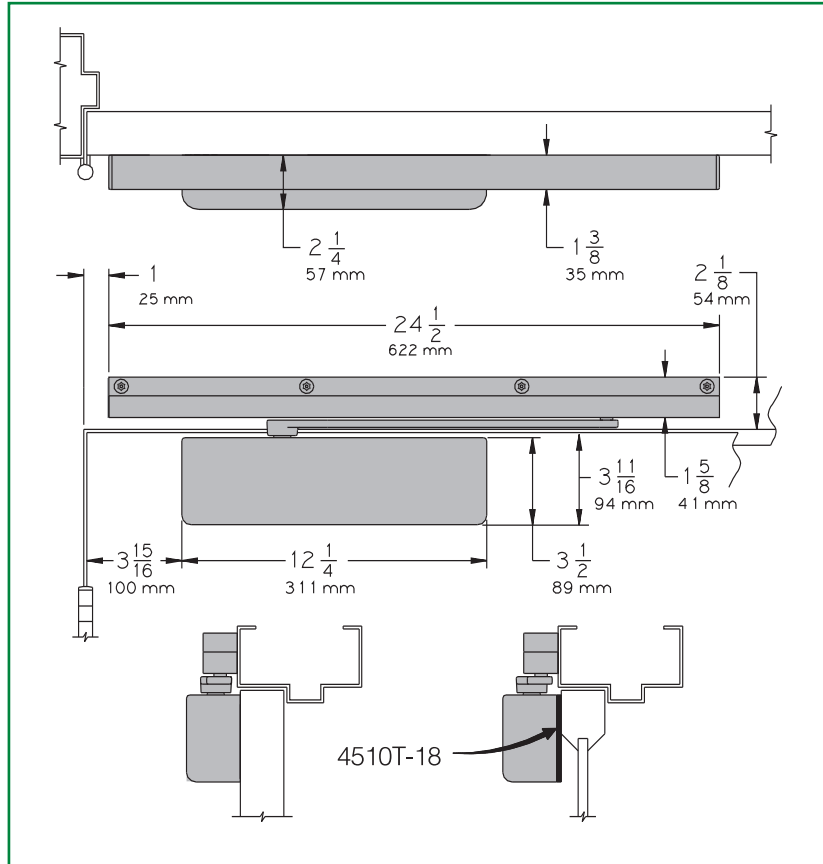
## MOUNTING DETAILS

### HINGE (PULL) SIDE MOUNTING

### MAXIMUM OPENING

Templating allows 180°.

Consult factory if door will be held open at 180°.



- ▶ **Butt Hinges** should not exceed 5" (127 mm) in width.
- ▶ **Auxiliary Stop** is recommended where a door cannot swing 180°.
- ▶ **Reveal** should not exceed 1/8" (3 mm).
- ▶ **Top Rail** less than 3 3/4" (95 mm), requires PLATE 4510T-18. Plate requires 2" (51 mm) minimum top rail.
- ▶ **Head Frame** minimum 2 1/8" (54 mm).
- ▶ **Clearance** of 2 1/4" (57 mm) behind door required for installation.
- ▶ **Advanced Variable Backcheck** cylinder starts backcheck at approximately 45° instead of the normal 75°. Add suffix "AVB" to selected cylinder (eg. 4513T AVB) .

### Options

- ▶ Advanced Variable Backcheck cylinder

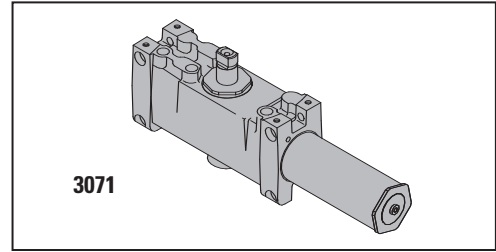
### Special Templates

Customized installation templates or products may be available to solve unusual applications. Contact LCN for assistance.

## CYLINDERS

### CYLINDER, 4510T-3071

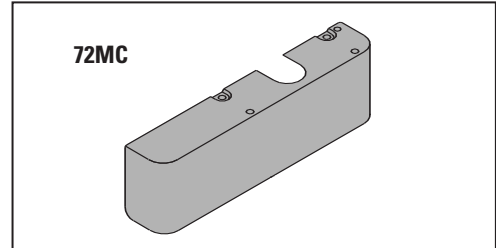
Standard, handed cast iron cylinder assembly.  
For various applications see "Table of Sizes" on 4510T Series page 22.



## COVER

### SECURITY COVER, 4510T-72MC

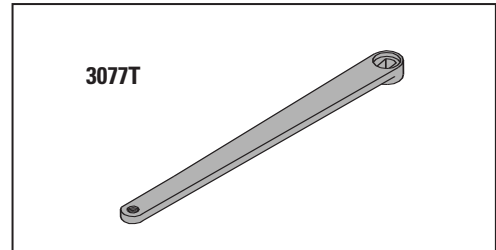
Handed, heavy gauge metal security cover.  
Four point TORX mounting for extra security.  
Closer adjustments not accessible with cover installed.



## ARM

### STANDARD SECURITY ARM, 4510T-3077T

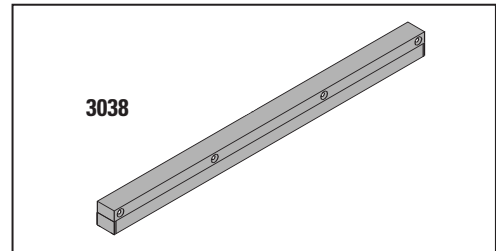
Handed arm features solid forged steel, large cross section arm.  
Special threaded attachment of track roller for potentially abusive installations.  
Double slab arm/pinion attachment for maximum strength.  
Can only be used with high security track roller, 4510T-3034.  
Roller is included with arm when 4510T-3077T is ordered separately.



## TRACK

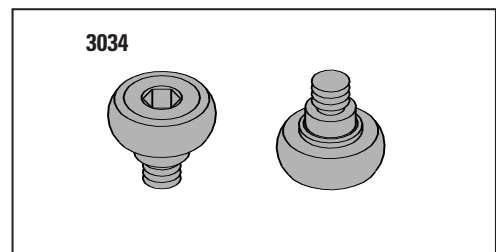
### SECURITY TRACK, 4510T-3038

Non-handed, high security track.  
Designed to eject foreign objects placed in track during either opening or closing motion.  
Requires track roller, 4510T-3034.



### SECURITY TRACK ROLLER, 4510T-3034

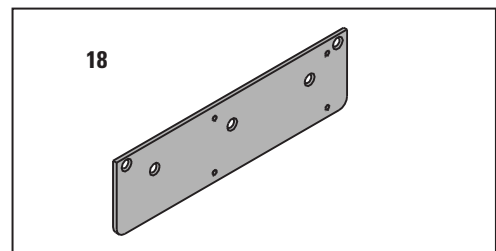
Low friction track roller threads into 4510T-3077T arm for extra strength and security.  
Can not be removed without disconnecting arm from closer.



## INSTALLATION ACCESSORIES

### PLATE, 4510T-18

Required where top rail is less than 3 3/4" (95 mm).  
Plate requires minimum 2" (51 mm) top rail.

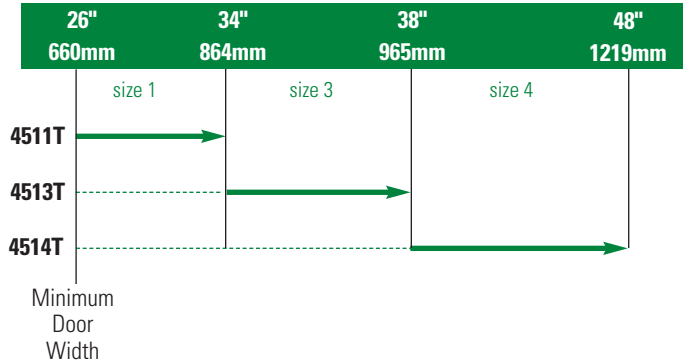


# LCN 4510T SERIES

**TABLE OF SIZES** Select closer based on width of door.  
Sized 4510T series cylinders available in size 1, 3 or 4.  
Closing power of all 4510T Series closers may be increased 15%.

→ Indicates recommended range of door width for closer size.


**INTERIOR DOOR WIDTH**



**REDUCED OPENING FORCE 4510T CLOSERS**

**CAUTION !** Any manual door closer, including those certified by BHMA to conform to ANSI Standard A156.4, that is selected, installed and adjusted based on ADA or other reduced opening force requirements may not provide sufficient power to reliably close and latch a door.

Refer to POWER OPERATORS section for information on systems that meet reduced opening force requirements without effecting closing power.

	DOOR WIDTH	36"	42"	48"
	8.5* lbs.	4513T	4513T	4513T
	5.0* lbs.	4511T	4511T	4511T

\* Maximum opening force

**HOW-TO-ORDER 4510T SERIES CLOSERS**

**1. SELECT CYLINDER SIZE**

- 4511T (ADA)
- 4513T
- 4514T

**2. SPECIFY HAND**

- RH
- LH

**3. SELECT FINISH**

- Standard Powder Coat \_\_\_\_\_  
Aluminum, Dark Bronze, Tan, Statuary, Light Bronze, Black, Brass.

**Closer will be shipped with:**

- SECURITY COVER,
- STANDARD SECURITY ARM,
- SECURITY TRACK ROLLER
- SECURITY TRACK,
- TORX MACHINE SCREW PACK,
- unless options listed below are selected.*

**CLOSER OPTIONS**

**CYLINDER**

- Advanced Variable Backcheck (AVB)

**FINISH**

- Custom Powder Coat (RAL) \_\_\_\_\_
- Plated Finish, US \_\_\_\_\_
- SRI primer

**SCREW PACK**

- TB\* and TORX Machine Screw (TBTRX)  
\* Specify door thickness if other than 1 3/4".

**INSTALLATION ACCESSORIES**

- PLATE, 4510T-18

**SPECIAL TEMPLATE**

- ST- \_\_\_\_\_

**NOTE:** Installation of this closer requires T-27 and T-25 driver bits for TORX machine screws with a security pin. Sold separately.

