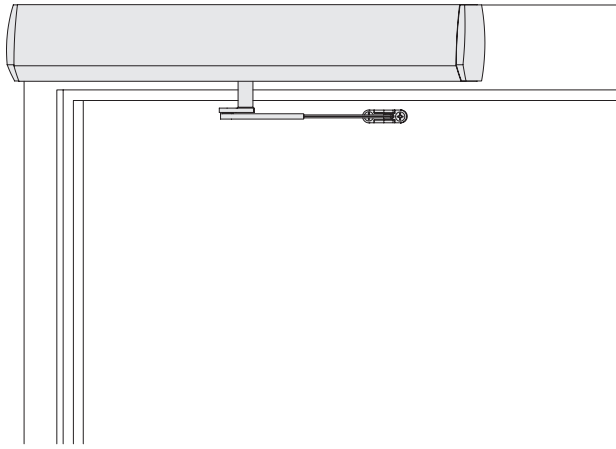


LCN 9140 SERIES

FEATURES

SINGLE DOOR, SURFACE MOUNT (PUSH) OFFSET PIVOT/BUTT HINGE



The 9140 BENCHMARK® by LCN is an electrically powered low-energy operator. It provides easy access for people with disabilities, the elderly or the frail. Designed primarily for automatic opening applications that occasionally require manual opening. The BENCHMARK® is a cost-effective solution for retrofitting an activated or manual door.

- ▶ Push 'N Go permits non-switch activation
- ▶ Adjustable opening and closing speed, all within ANSI guidelines and ADA codes
- ▶ Microprocessor control box ensures reliability
- ▶ Tested internally to over three million cycles
- ▶ Fast and easy installation

- ▶ 9140 series operator is shipped with motor gearbox, control box, mounting plate, regular arm, metal cover, standard track, wood and machine screw pack.
- ▶ Single door, surface mounted.
- ▶ ADA compliant.
- ▶ On/Off switch included as standard.
- ▶ Non-handed for either right or left swinging door.
- ▶ 27" cover is standard. Full length covers available up to 49" for single doors.

9140 Series is fully compliant with UL 325 and meets the provisions of ANSI A156.19. The 9140 Series is UL listed for fire-rated applications. The 9140 Series also meets the provisions of the Americans with Disabilities Act.

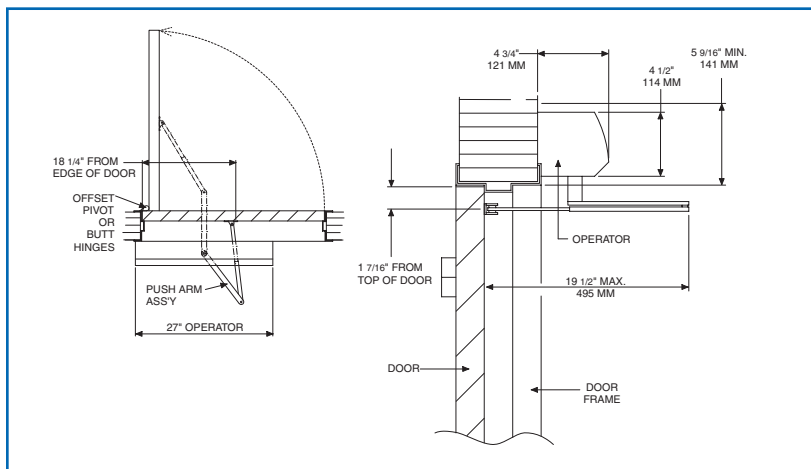
MOUNTING						HANDING		FINISH			COVER			ARM FUNCTION			
●	○	○	○	○	○	○	●	●	○	○	○	●	○	○	○	○	○
SURFACE MOUNT SINGLE DOOR						HANDED		STANDARD ANODIZED			STANDARD (SINGLE)			REGULAR (DOUBLE)			
SURFACE MOUNT SIMULTANEOUS PAIR						NON-HANDED		CUSTOM ANODIZED			DOUBLE EGRESS (PUSH/PULL)			OFFSET PIVOT ARM			
SURFACE MOUNT INDEPENDENT PAIR								CUSTOM PAINT			OFFSET PIVOT ARM			CENTER PIVOT ARM			
CONCEALED SINGLE DOOR								METAL									
CONCEALED SIMULTANEOUS PAIR																	
CONCEALED INDEPENDENT PAIR																	

- AVAILABLE
- NOT AVAILABLE

LCN 9140 SERIES

MOUNTING DETAILS

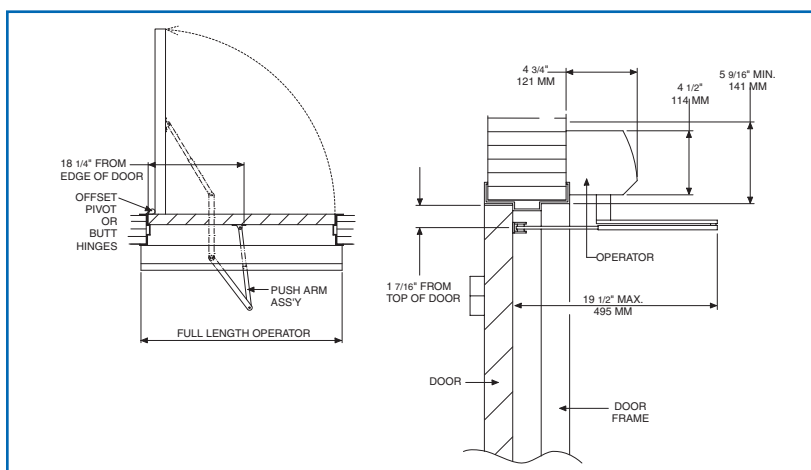
TOP JAMB SINGLE DOOR (OFFSET PIVOT/BUTTHINGE, PUSH, STANDARD COVER) MOUNTING



TOP JAMB SINGLE DOOR (OFFSET PIVOT/BUTTHINGE, PUSH, FULL COVER) MOUNTING

MAXIMUM OPENING

Template allows 90 degree power opening and 90 degree manual opening.



- ▶ **Butt Hinges** should not exceed 5" (127 mm) in width.
- ▶ **Auxiliary Stop** is recommended.
- ▶ **Reveal** for push installations should not exceed 6" (152 mm) for REGULAR ARM and 9 3/4" (248 mm) for LONG ARM.
- ▶ **Head Frame** minimum 2" (51 mm).
- ▶ **Top Rail** minimum 2" (51 mm). Flush ceiling installation requires 5 1/4" (133 mm) minimum.
- ▶ **Opening and Closing Time** are variable by adjustments to the electronic control module located on the operator assembly. Maximum hold-open time adjustable up to approximately 30 seconds.
- ▶ **System Diagram** see "POWER OPERATORS" section pages 28-29 for typical system wiring and page 30 for electrical data.
- ▶ Please consult your local SSC representative or LCN for assistance with specific installations and material requirements.

Special Templates

Customized installation templates or products may be available to solve unusual applications. Contact LCN for assistance.

MOTOR GEARBOX

MOTOR GEARBOX ASSEMBLY, 9140-3454S

Driving mechanism for operator. For 27" unit. Switch included.

MOTOR GEARBOX ASSEMBLY (W/O SWITCH), 9140-3454

Driving mechanism for operator. For full length unit. Switch not included.

BRACKETS

MOUNTING BRACKET, 9140-3018

Standard mounting bracket.

SWITCH BRACKET – 29" CABLE, 9140-3351-1

Bracket used to locate switch at end of cover on full length unit.

SWITCH BRACKET – 41" CABLE, 9140-3351-2

Bracket used to locate switch at end of cover on full length unit.

SWITCH BRACKET – 51" CABLE, 9140-3351-3

Bracket used to locate switch at end of cover on full length unit.

CONTROL BOXES

CONTROL BOX, STANDARD (120v), 9140-3462

Electronic controlling device (standard) for Benchmark.

CONTROL BOX, PREMIUM (120v), 9140-3462P

Electronic controlling device (premium) for Benchmark.

COVERS

METAL COVER, 9140-72MC

Standard, 27", non-handed, extruded aluminum cover.

FULL METAL COVER, 9140-72FC

Full length, non-handed, extruded aluminum cover. Specify length 36" to 49".

COVER INSERT 9140-163

Used to cover operator shaft opening.

COVER END CAP INSERT, 9140-163-1

Used to cover switch hole opening.

COVER END CAP, 9140-334

Black plastic end caps.

ARMS

REGULAR ARM, 9140-3077

Non-handed arm.

LONG PUSH ARM, 9140-3077L

Non-handed long arm.

ROD, 9140-79

Rod for use with regular arm.

EXTENDED ROD, 9140-79LR

Long rod for use with long arm.

LCN 9140 SERIES

ACCESSORIES

INSTALLATION ACCESSORIES

HALL EFFECT ADAPTER HARNESS, 9140-3428-1

Allows a prior model motor gearbox to work with a new control box. Encoder conversion. Used with 9140-3598-1 & 9140-3430-1.

HALL EFFECT ADAPTER HARNESS, 9140-3428-2

Allows a prior model control box to work with a new motor gearbox. Encoder conversion. Used with 9140-3598-2 & 9140-3430-2.

POWER ADAPTER HARNESS, 9140-3598-1

Allows a prior model motor gearbox to work with a new control box. AC Power conversion. Used with 9140-3428-1 & 9140-3430-1.

POWER ADAPTER HARNESS, 9140-3598-2

Allows a prior model control box to work with a new motor gearbox. AC power conversion. Used with 9140-3428-2 & 9140-3430-2.

MOTOR ADAPTER CABLE, 9140-3430-1

Allows a prior model control box to work with a new motor gearbox. Motor conversion. Used with 9140-3428-1 & 9140-3598-1.

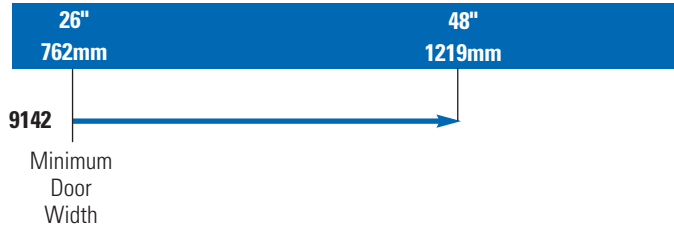
MOTOR ADAPTER CABLE, 9140-3430-2

Allows a prior model motor gearbox to work with a new control box. Motor conversion. Used with 9140-3428-2 & 9140-3598-2.

TABLE OF SIZES

→ Indicates recommended range of door width for operator.
 Note: For All Benchmark Series
 26" minimum door width for 27" push operator
 36" minimum door width for full length push operator

DOOR WIDTH



HOW-TO-ORDER 9140 SERIES OPERATORS

1. SPECIFY FINISH.

- Standard Anodized Finish _____
 Aluminum or Dark Bronze

Operator will be shipped with:

-STANDARD MOTOR GEARBOX (SF)
 -STANDARD CONTROL BOX (SC)
 -MOUNTING BRACKET
 -27" METAL COVER (CL27)
 -REGULAR ARM (3077)
 -WOOD and MACHINE SCREW PACK
Unless options listed below are selected.

OPERATOR OPTIONS

COVER

- Full Cover (CL_____) (Specify length 36" to 49")

CONTROL BOX

- Premium (PC) _____

ARM

- Long Arm (3077L)
(reveals 6" to 9 3/4")

SPECIAL TEMPLATE

- ST-_____

