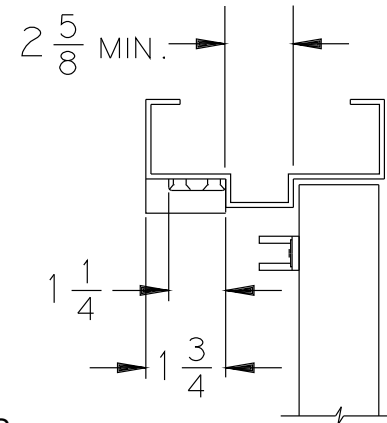
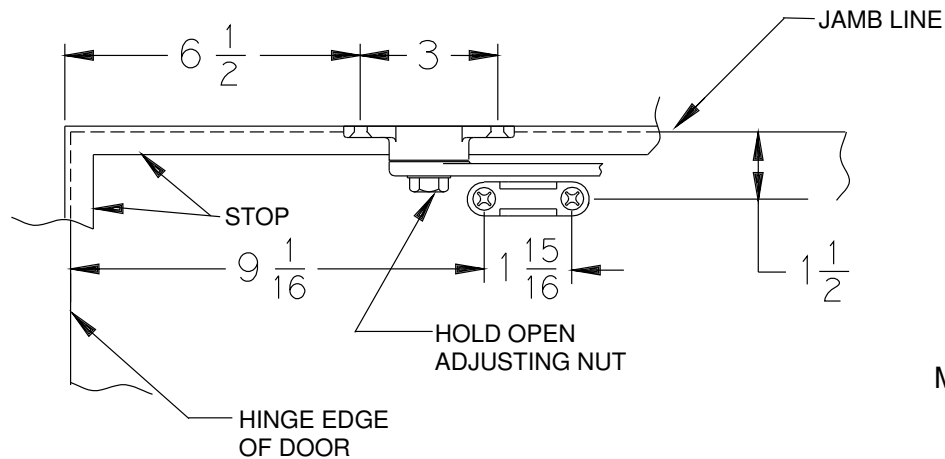


GENERAL NOTES:

1. Prepare door and frame per template.
2. Attach arm assembly to frame per template.
3. Attach shoe to door per template.
4. If door swings on pivots or swing clear hinges, locate PHA-60 from ϕ of pivot point.

TO ADJUST HOLD OPEN

Loosen adjusting nut at shoe assy. Open door to desired hold open position and tighten nut.




MOUNTING SCREWS

- No. 14 x 1 1/2 P.H.W.S.
- 1/4 - 20 X 5/8 P.H.M.S.

NOTE:

FOR BUTTS LARGER THAN 5" x 5" OR A STOP THICKER THAN 5/8" CONSULT FACTORY FOR DETAILS.

No.	REVISION	BY	DATE		APP BY
1	TEMPLATE UPDATE	AMM	3/98		JTA 3/98
DOOR HOLDER 90° TO 180° OPENING					DO NOT SCALE PAH-60