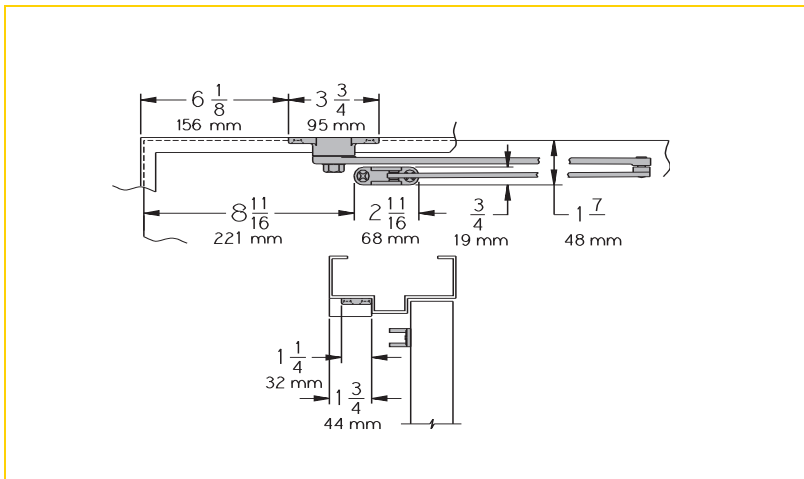


The PAH 60 is recommended for use on the inactive leaf of a pair of doors where the active leaf has a door closer installed.

MAXIMUM OPENING

Hold-open points up to 180°.

- ▶ Standard holder shipped with wood and machine screw pack.
- ▶ Handed for right or left swinging doors.
- ▶ Standard or optional custom powder coat finishes.
- ▶ Hold-open point adjustable at the soffit shoe.
- ▶ Optional plated finish on holder and fasteners.
- ▶ Optional SRI primer for installations in corrosive conditions.



**HOW-TO-ORDER
PAH 60 HOLDER**

1. SPECIFY HAND.

- RH
- LH

2. SPECIFY FINISH.

- Standard Powder Coat _____
Aluminum, Dark Bronze, Tan, Statuary,
Light Bronze, Black, Brass.

OPTIONAL ARM FINISH

- Custom Powder Coat (RAL) _____
- Plated Finish, US _____
- SRI primer

- ▶ **Butt Hinges** should not exceed 5" (127 mm).
- ▶ **Auxiliary Stop** recommended at hold-open point.
- ▶ **Top Rail** minimum 2" (51 mm).
- ▶ **Rabbet Depth** minimum 1 1/4" (32 mm).