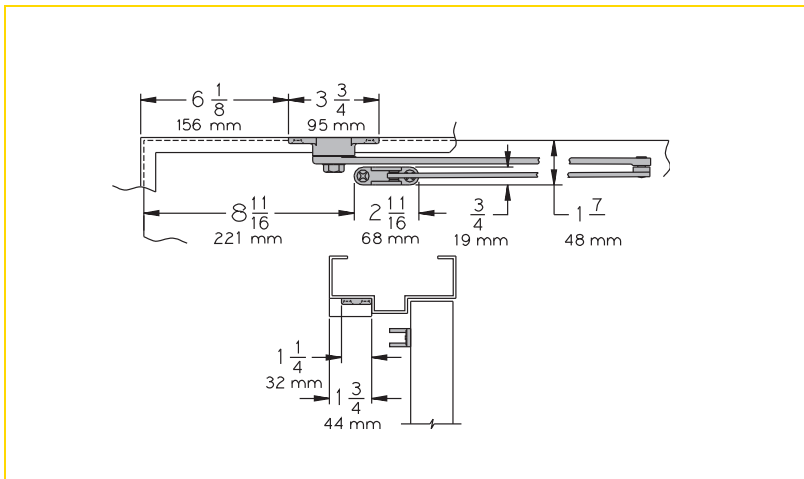


The PAH 60 is recommended for use on the inactive leaf of a pair of doors where the active leaf has a door closer installed.

MAXIMUM OPENING

Hold-open points up to 180°.

- ▶ Standard holder shipped with wood and machine screw pack.
- ▶ Handed for right or left swinging doors.
- ▶ Standard or optional custom powder coat finishes.
- ▶ Hold-open point adjustable at the soffit shoe.
- ▶ Optional plated finish on holder and fasteners.
- ▶ Optional SRI primer for installations in corrosive conditions.



**HOW-TO-ORDER
PAH 60 HOLDER**

1. SPECIFY HAND.

- RH
- LH

2. SPECIFY FINISH.

- Standard Powder Coat _____
Aluminum, Dark Bronze, Tan, Statuary,
Light Bronze, Black, Brass.

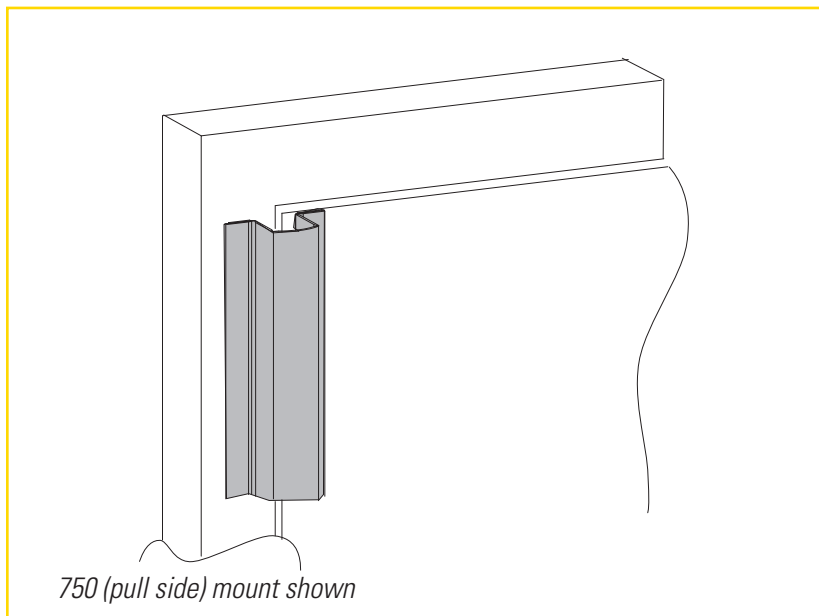
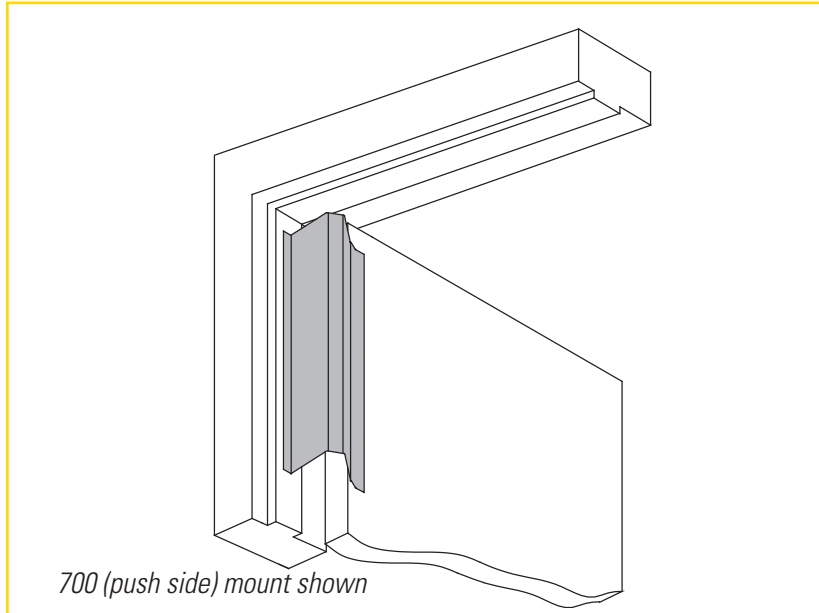
OPTIONAL ARM FINISH

- Custom Powder Coat (RAL) _____
- Plated Finish, US _____
- SRI primer

- ▶ **Butt Hinges** should not exceed 5" (127 mm).
- ▶ **Auxiliary Stop** recommended at hold-open point.
- ▶ **Top Rail** minimum 2" (51 mm).
- ▶ **Rabbet Depth** minimum 1 1/4" (32 mm).



The LCN Safety Guard is a heavy duty vinyl product that covers the opening between the door and frame, where most hand injuries occur. The Safety Guard can be mounted on most existing metal or wood frames in commercial and residential buildings. It requires no special tools for installation and has been tested to over 1 million cycles.



Safety Guard General Information

- ▶ Use on any interior door where the potential for hand injury exists.
- ▶ Requires no special tools.
- ▶ **Safety-Guard** is in compliance with fire door requirements and the Americans With Disabilities Act (ADA)
- ▶ 82" in length, trim to fit.
- ▶ Limits door swing to 100°.
- ▶ Two year from date of manufacture.
- ▶ Butt hinges only.
- ▶ Auxiliary stop required.

HOW-TO-ORDER LCN SAFETY-GUARD

1. SELECT.

- 700 Push Side
- 750 Pull Side

2. SPECIFY FINISH.

- Aluminum
- Dark Bronze
- Tan