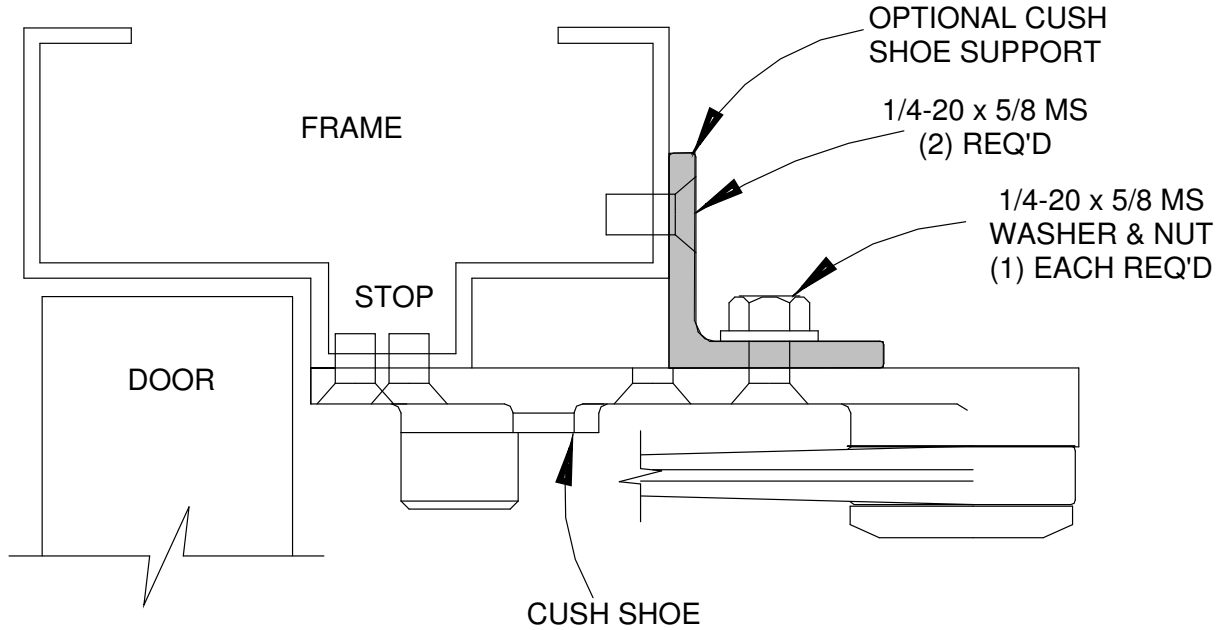


If frame is not wide enough to receive fifth screw, install Cush Shoe Support (available from Dealer) as shown below.

**CAUTION**  
IMPROPER INSTALLATION OR REGULATION MAY RESULT IN PERSONAL INJURY OR PROPERTY DAMAGE. FOLLOW ALL INSTRUCTIONS CAREFULLY. FOR QUESTIONS, CALL LCN AT 800 - 526 - 2400

## INSTRUCTIONS FOR INSTALLING CUSH SHOE SUPPORT AFTER CUSH - N - STOP IS INSTALLED

- 1---Set Cush Shoe Support on top of Cush Shoe and hold against frame.
- 2---Assemble screw, washer, and nut as shown and tighten securely.
- 3---Using Shoe Support as Template drill & tap two 1/4-20 holes in frame.
- 4---Insert screw & tighten securely.



Should frames have 1/2" Blade Stop it is necessary to use 1/2" Blade stop Spacer (available from Dealer). Use both Blade Stop Spacer and Shoe Support wherever required.

