

CONDUIT QUICK CONNECTOR

INSTALLATION INSTRUCTIONS

1. The Conduit Quick Connector and Plug can be found in the closer screwpack.
2. The Conduit Quick Connector should be fastened to the 1/2" concealed conduit prior to step 3 on the closer installation instructions.
3. During step 3 on the closer installation instructions, make sure that the Conduit Connector is secured flush against the track surface. See option in Fig. 1 below that matches the mounting option selected for track surface. With the track mounted, take the Conduit Plug and slide it through the 1/2" hole in the track. (see Fig.2) Tighten the Plug into the Conduit Connector using a 5/8" wrench, until completely secure, as shown in Fig.3.

Fig. 1

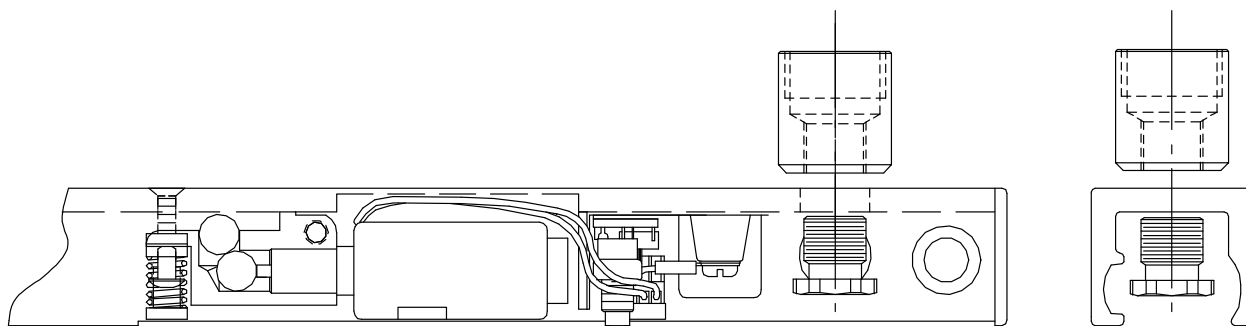
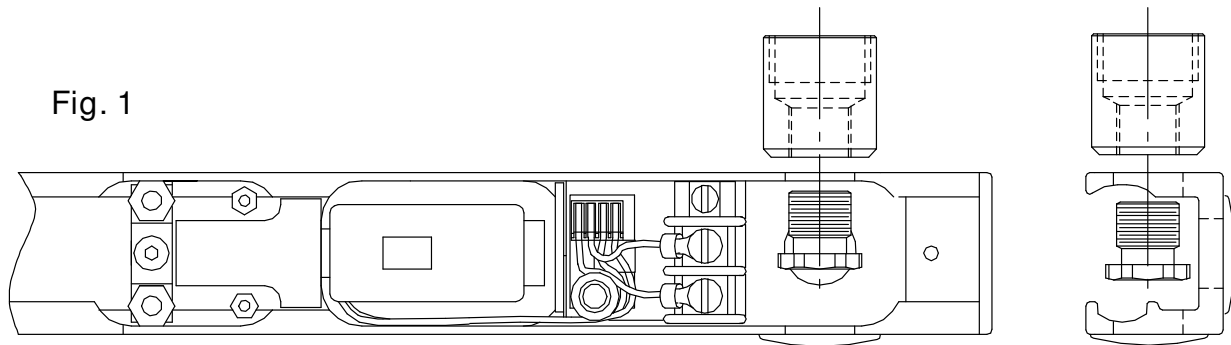


Fig. 2

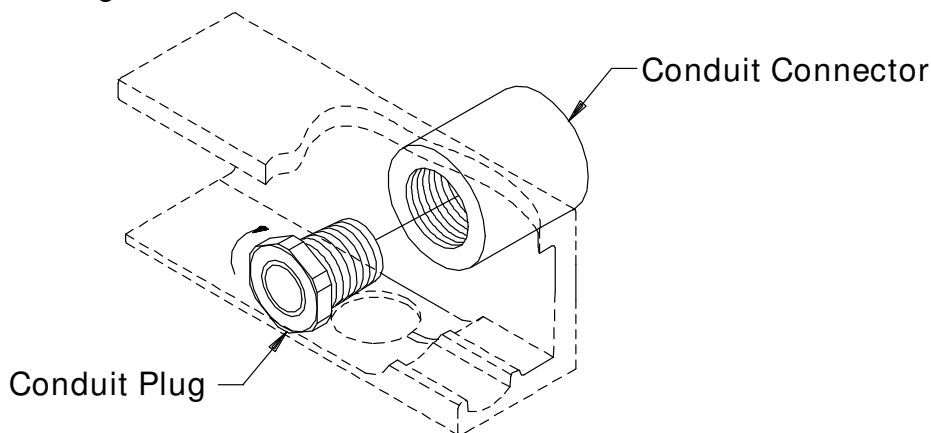
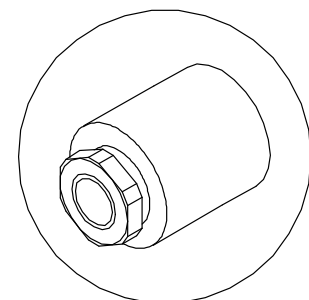


Fig. 3



Conduit Plug shown
in Conduit Connector