

INSTRUCTIONS FOR 7980 COMPRESSOR SERVICE KIT

STEP 1:

Remove damaged hardware from location indicated in **Fig. 1**. Remove adjusting screw, lock nut, spring and button assembly. To remove steel ball lightly tap on air adjustment valve.

STEP 2:

Replace hardware with the new hardware that is provided in service package shown in **Fig. 2**. Assemble hardware into air adjustment valve in order that is shown in **Fig. 2**, starting with steel ball and ending with the adjustable screw.

STEP 3:

To regulate outer valve air pressure see **Fig. 3** on the back page.

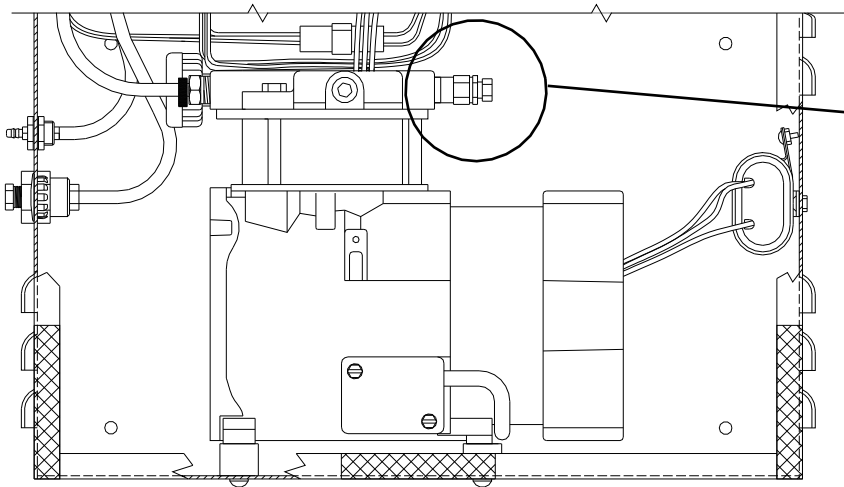


FIG. 1

CAUTION

DO NOT MOUNT BOX UPSIDE DOWN OR IN HORIZONTAL POSITION. LOCATE WHERE TEMPERATURES DO NOT EXCEED 120°F OR FALL BELOW 35°F.

WARNING



HAZARDOUS VOLTAGE CAN SHOCK AND CAUSE SEVERE INJURY

Disconnect power before making any electrical connections or performing maintenance.

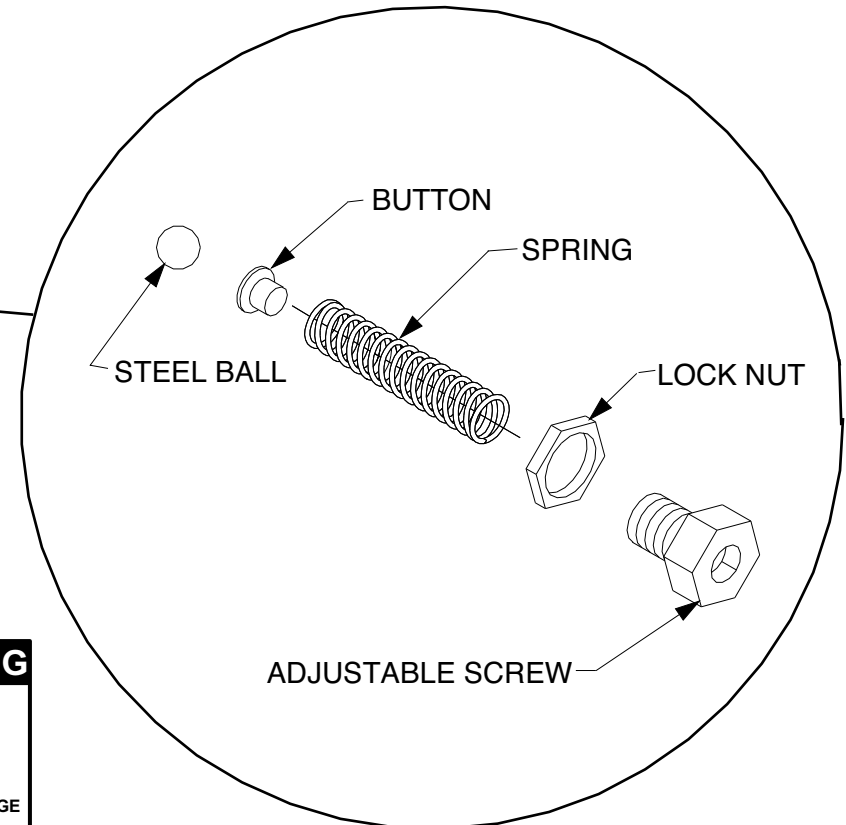
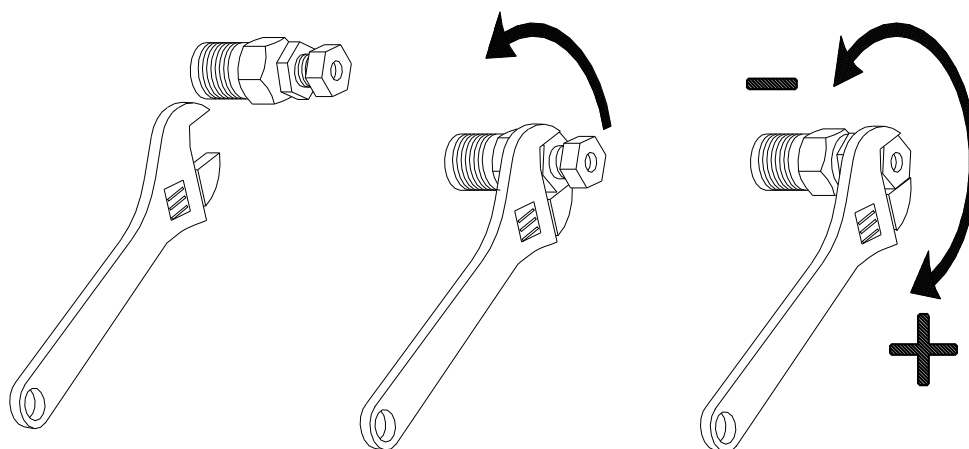
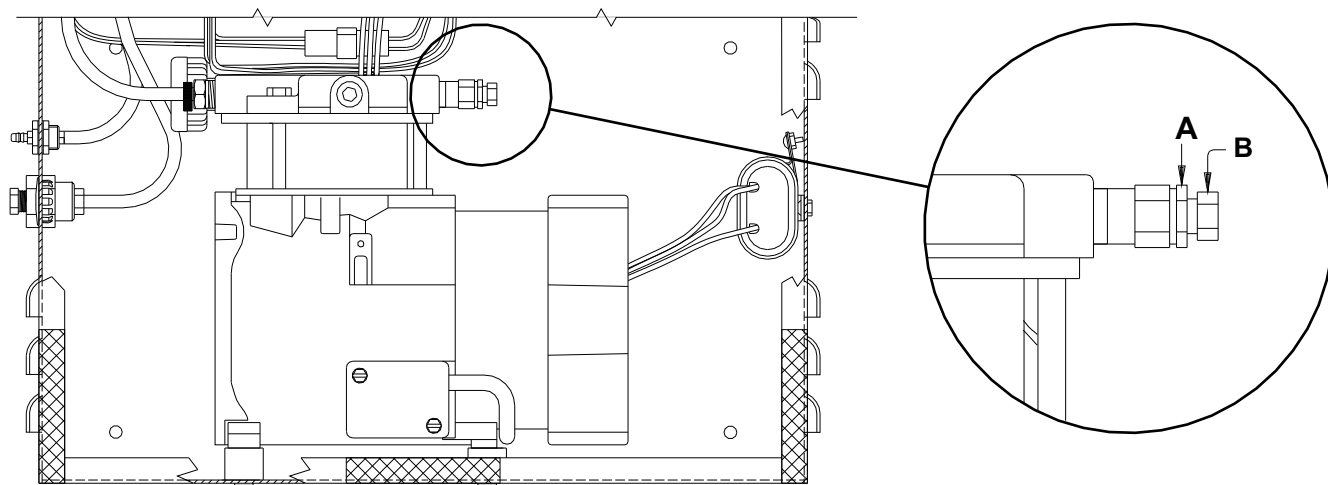


FIG. 2

FIG. 3

AIR PRESSURE REGULATION



1. Loosen lock nut. (A)

2. Outer valve (B) regulates the air pressure to the cylinder. Adjust outer valve (B) in quarter turn increments until door properly opens. DO NOT over adjust - compressor will be damaged. When the door fully opens there should be air exhausting from the vent hole in (B) before the compressor shuts off, if the valve is properly adjusted.

3. Tighten lock nut.