

DOOR CLOSER WITH ELECTRONIC RELEASE & MULTI - POINT HOLD OPEN.

1. Closer is handed at factory. Hand of closer must match hand of door. (See door handing diagram at bottom of page).
2. Voltage supplied to door frame **MUST** match voltage of solenoid.
3. Before beginning Step 3, determine which type of wiring option is to be used and follow the corresponding instructions.

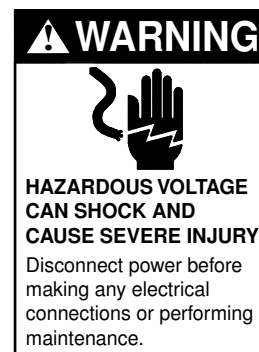
FOR CONCEALED WIRING: See Fig. 3 on page 3.

- A. Prepare frame per proper template on page 4. Be sure all the holes are dimensioned correctly before drilling and tapping.
- B. Assemble conduit connector provided to flexible conduit, then attach to hole in mounting plate.
- C. Secure mounting plate to frame with screws provided.

FOR SURFACE WIRING: See Fig. 4 on page 3.

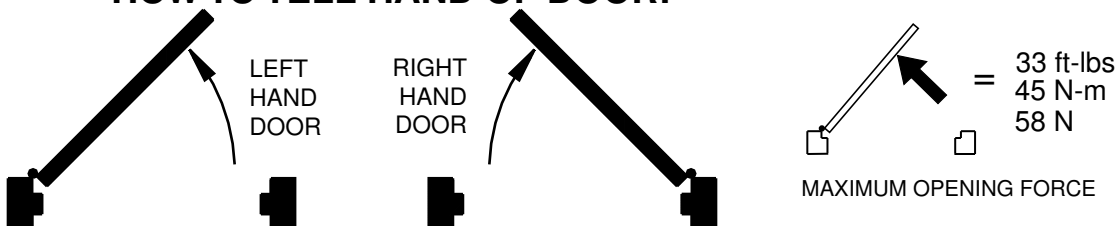
NOTE: Remove knockout in top of cover.

- A. Prepare frame per proper template on page 4. Be sure all holes are dimensioned correctly before drilling and tapping.
- B. Secure mounting plate to frame with screws provided.
- C. Attach the surface run 1/2" EMT conduit to hole in bracket on mounting plate. Be sure conduit is securely attached to bracket.



4. Making wiring connections at this time. Connect two black wires to input voltage (polarity not important). Green wire **MUST** be connected to an earth ground. (See Fig. 3 & 4 on page 3)
5. Place spacer on closer shaft, then slide arm onto closer shaft and secure with arm shaft screw. (See Fig. 1 on page 3)
6. Insert track roller into track and end caps into both ends of track. Place track plugs in track where needed. Using fasteners provided, mount track on door per template on page 4.
7. Loosen set screw in end of arm, open door approx. 30°, pull arm over top of door and connect to track roller. Tighten set screw firmly.
8. Regulate closer and perform electrical checkout as instructed on page 2 before installing closer cover.
9. To disengage swing-free action of arm, insert locking screw (stored in tube portion of arm) into shaft end of arm and tighten securely.

HOW TO TELL HAND OF DOOR:



REGULATION INSTRUCTIONS

SEE FIGURE 2 ON OPPOSITE PAGE FOR REGULATING SCREW LOCATION,
DOOR CONTROL DIAGRAM & SPRING POWER ADJUSTMENT

- 1. SPRING POWER ADJUSTMENT:** DO NOT ALLOW DOOR TO SLAM INTO FRAME. Spring power should be adjusted **only** if more power is need to close the door. Turning spring adjustment nut clockwise will increase spring power. 6 turns maximum adjustment.
- 2. REGULATION:** A "normal" closing time from a 90° position is 5 to 7 seconds, equally divided between **MAIN** and **LATCH SPEED**. If adjustments are needed, use the socket screw key provided. To adjust **MAIN SPEED**, turn regulating screw clockwise to slow door speed or c.c.w. increase speed. **LATCH SPEED** is adjusted in the same way. When adjusting the **BACKCHECK**, turn regulating screw clockwise to increase amount of force or c.c.w. to reduce the amount of force. **DO NOT USE ABRUPT BACKCHECK SETTING OR EXPECT CLOSER TO ACT AS A STOP !**



ELECTRICAL CHECKOUT

AFTER COMPLETION OR INSTALLATION & WIRING, AND WITH THE UNIT PROPERLY POWERED, PERFORM THE FOLLOWING TESTS:

1. With power on, open the door any position and release. The door should remain in the hold-open position within 10°. For a bypass model to hold open, the door must be opened beyond degree of door swing indicated on label.
2. If shaft end of arm does not remain in hold open, push on / off switch. Open door again. If shaft end of arm still does not hold open, verify proper voltage input at solenoid leads.
3. Turn power off. Shaft end of arm should rotate and pick up rest of arm, closing door completely. Push on / off switch again to restore power.
4. After electrical checkout is completed, fit closer cover onto closer and insert cover screws in proper locations. Hold cover firmly against mounting plate while tightening cover screws securely with socket screw key wrench provided.
5. System should be checked at regular intervals. It is recommended that steps 1 - 3 be repeated every 90 days.

ELECTRICAL DATA FOR DOOR HOLDER SOLENIOD:

24V AC-DC Nominal +10% - 15% @ .070 Amp. Max
120V AC-DC Nominal +10% - 15% @ .030 Amp. Max.
Consult Factory for 12V Wiring

24V HOLD OPEN FORCE ADJUSTMENT

IF DOOR IS HARD TO PULL OUT OF HOLD OPEN, ADJUST AS SHOWN

IMPORTANT

Closer leaves the factory set at maximum holding force. The holding force may be decreased and increased again, but it cannot be increased beyond the original setting.

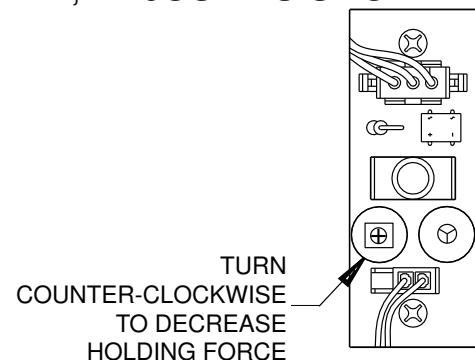


Figure 1

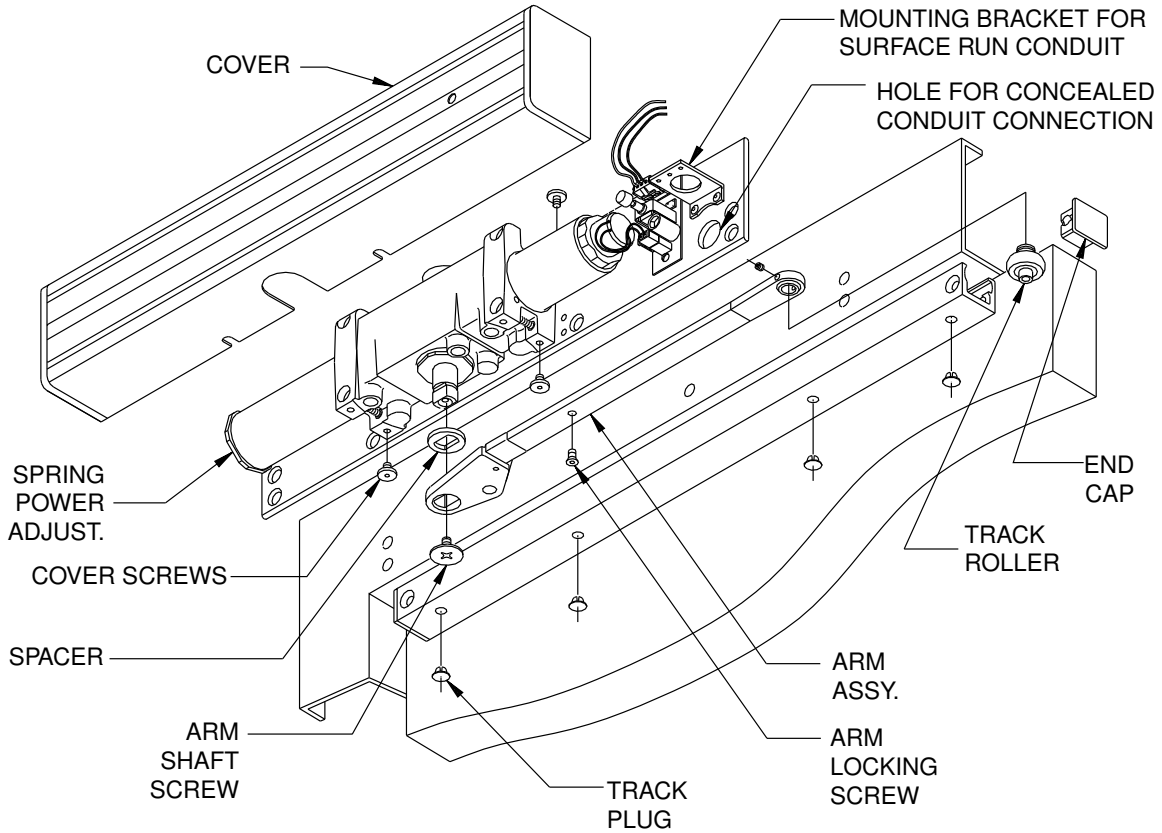


Figure 2

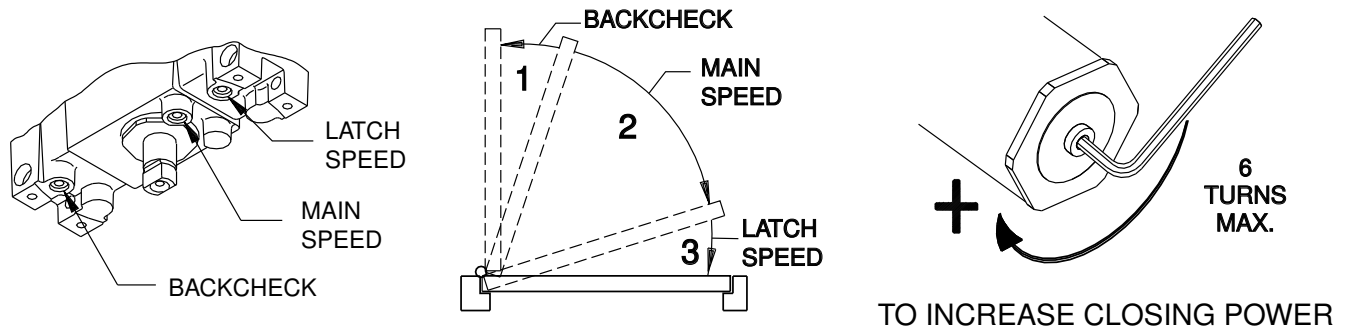


Figure 3

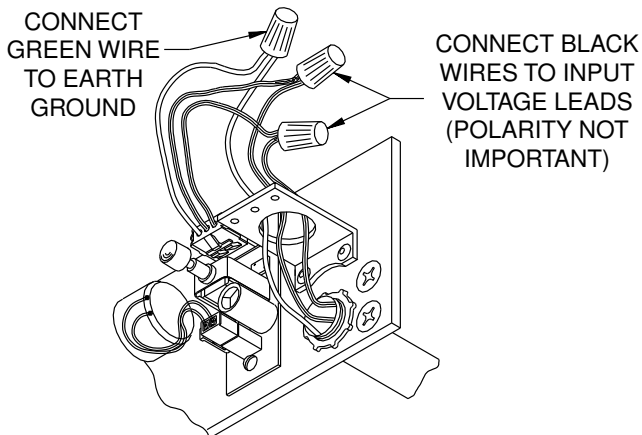
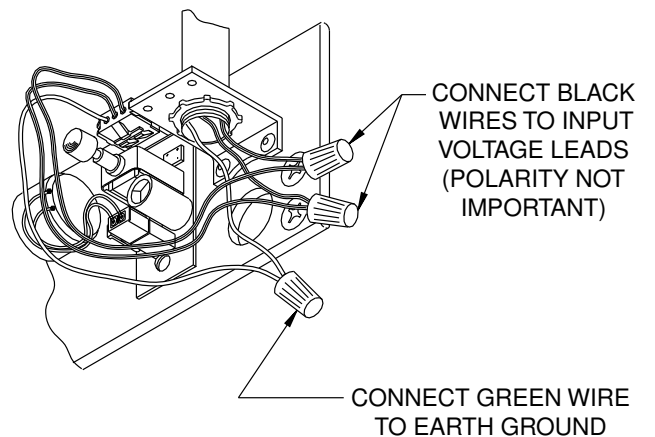
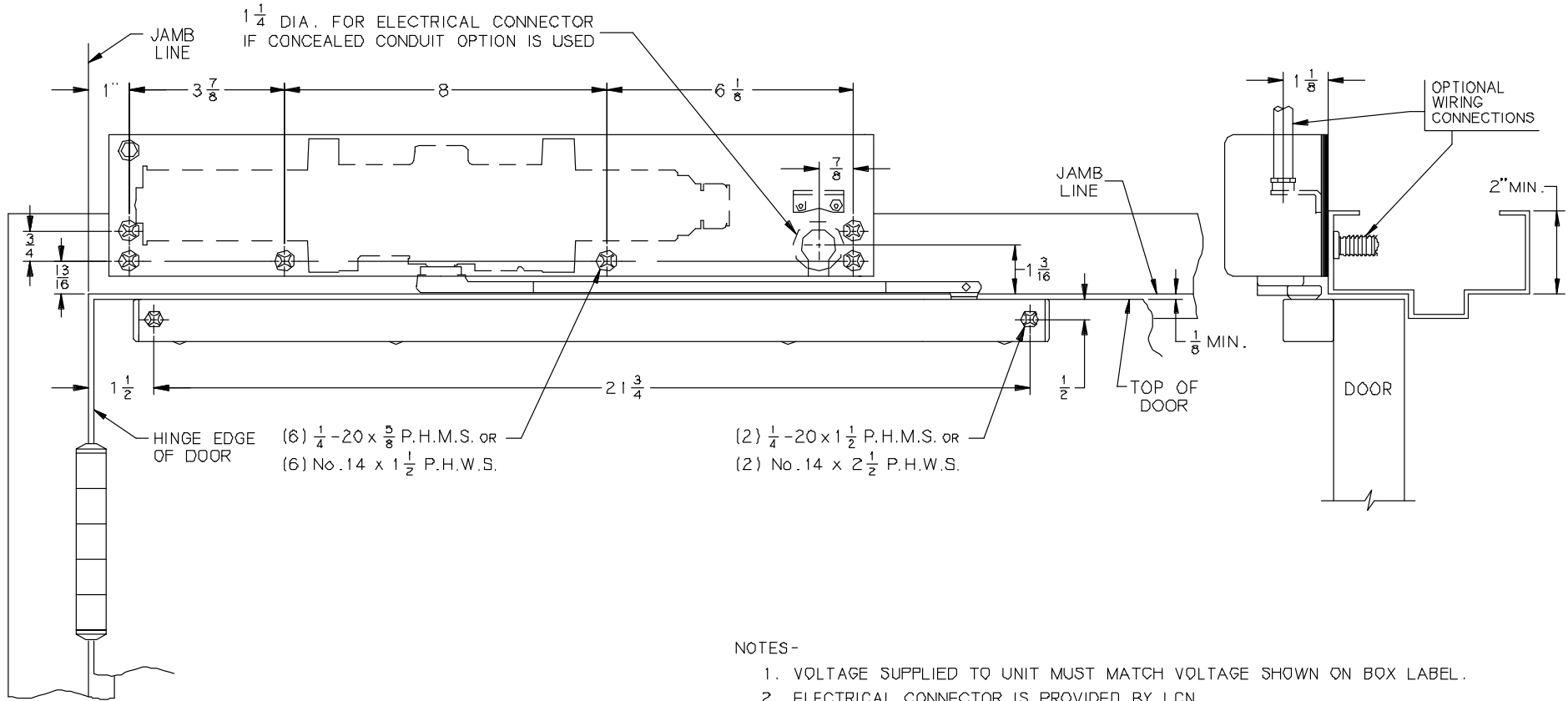


Figure 4



4310 ME

4313 ME } HOLD OPEN ANY POINT TO 160°
 4314 ME } HOLD OPEN BYPASS 80° OR 140°
 AUXILIARY STOP RECOMMENDED
 RIGHT HAND DOOR AND CLOSER SHOWN, LEFT HAND OPPOSITE 12/96



Page 4

NOTES-

1. VOLTAGE SUPPLIED TO UNIT MUST MATCH VOLTAGE SHOWN ON BOX LABEL.
2. ELECTRICAL CONNECTOR IS PROVIDED BY LCN.
3. IF DOOR IS HUNG ON PIVOTS, LOCATE CLOSER AND TRACK FROM CENTERLINE OF PIVOT.
4. IF DOOR IS HUNG ON SWING CLEAR HINGES, CONSULT FACTORY.
5. FLOOR OR WALL STOPS SHOULD BE USED
6. FOR ADDITIONAL INFORMATION ON RECOMMENDED USE OF THIS UNIT CONSULT NFPA-72E PAMPHLET.
7. REINFORCING PER ANSI/SDI-100 RECOMMENDED FOR HOLLOW METAL DOORS AND FRAMES.

INCH	1/8	1/4	1/2	5/8	3/4	13/16	7/8	1	1 1/8
M. M.	3	6	13	16	19	21	22	25	29
INCH	1 3/16	1 1/4	1 1/2	2	2 1/2	3 7/8	6 1/8	8	21 3/4
M. M.	30	32	38	51	64	98	156	203	553

LCN®