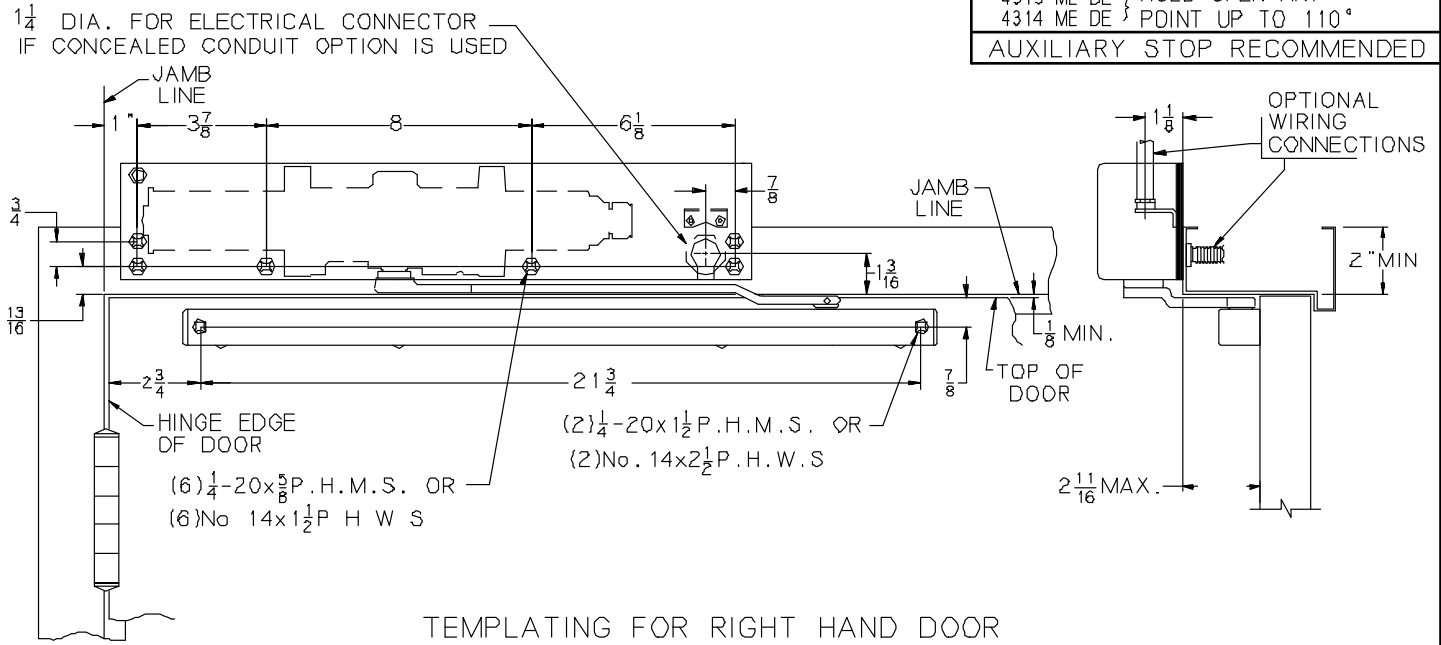


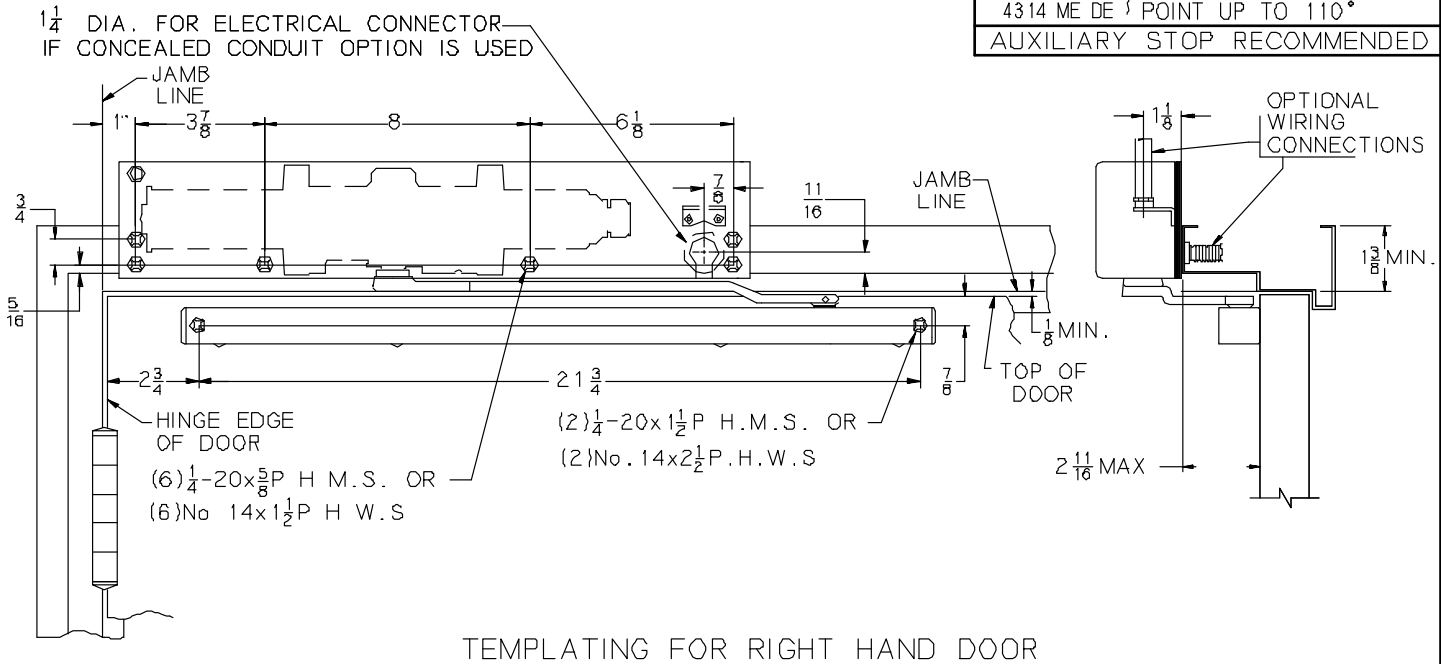
ME DOUBLE EGRESS

4313 ME DE } HOLD OPEN ANY
 4314 ME DE } POINT UP TO 110°
 AUXILIARY STOP RECOMMENDED



ME 5/8 STEP DOWN D.E.

4313 ME DE } HOLD OPEN ANY
 4314 ME DE } POINT UP TO 110°
 AUXILIARY STOP RECOMMENDED



NOTES-

- RIGHT HAND DOOR AND CLOSER SHOWN, LEFT HAND OPPOSITE
- VOLTAGE SHOWN ON SENTRONIC LABEL MUST MATCH VOLTAGE SUPPLIED.
- IF DOOR IS HUNG ON PIVOT OR SWING CLEAR HINGES CONSULT FACTORY
- FOR 7 1/4" OR LESS DOUBLE EGREES FRAMES REVEAL NOT TO EXCEED 2 11/16"
- FLOOR OR WALL STOP SHOULD BE USED.
- FOR ADDITIONAL INFORMATION ON RECOMMENDED USE OF THIS UNIT CONSULT NFPA-72E PAMPHLET
- REINFORCING PER ANSI/SDI-100 RECOMMENDED FOR HOLLOW METAL DOORS AND FRAMES.

INCH	1/8	1/4	1/2	5/8	3/4	13/16	7/8	1	1 1/8
M.M.	3	6	13	16	19	21	22	25	29

INCH	1 3/16	1 1/4	1 1/2	2	2 1/2	3 7/8	8	11 1/8	21 3/4
M.M.	30	32	38	51	64	98	203	283	553

CAUTION

IMPROPER INSTALLATION OR REGULATION MAY RESULT IN PERSONAL INJURY OR PROPERTY DAMAGE. FOLLOW ALL INSTRUCTIONS CAREFULLY. FOR QUESTIONS, CALL LCN AT 800 - 526 - 2400

No.	REVISION	BY	DATE
2	TEMPLATE UPDATE	AMM	3/98
3	TEMPLATE UPDATE	AMM	4/00

IR LCN

APP BY RJS 5/81
DO NOT SCALE

4310 SERIES SENTRONIC CLOSER
DOUBLE EGREES DOORS AND FRAMES

4310 DE