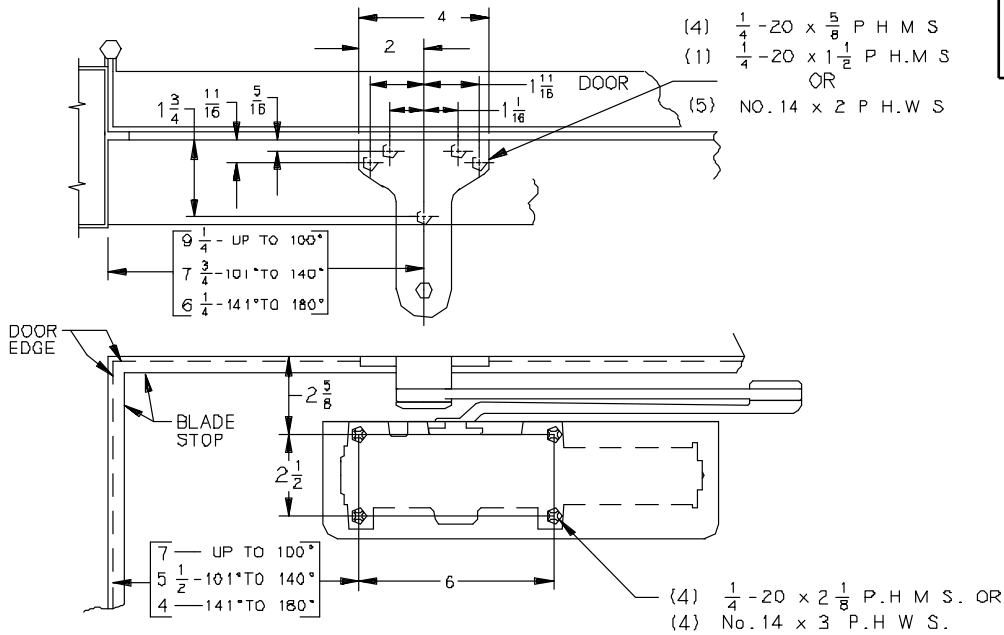


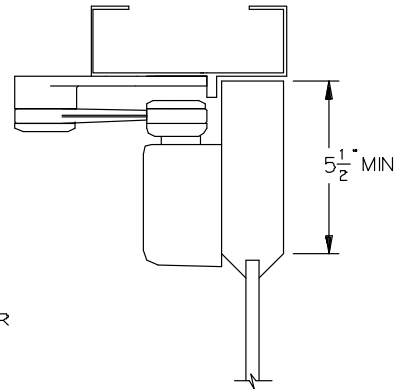
# 4110-62G

PUSH SIDE MTG. APPLIES TO:

- 4111 &
- 4112 } MAX OPENING 180°
- 4113 } NON HOLD OPEN (90°-180°)
- 4114 } H-180 (90°-180° HOLD OPEN)
- 4115 }
- 4116 }



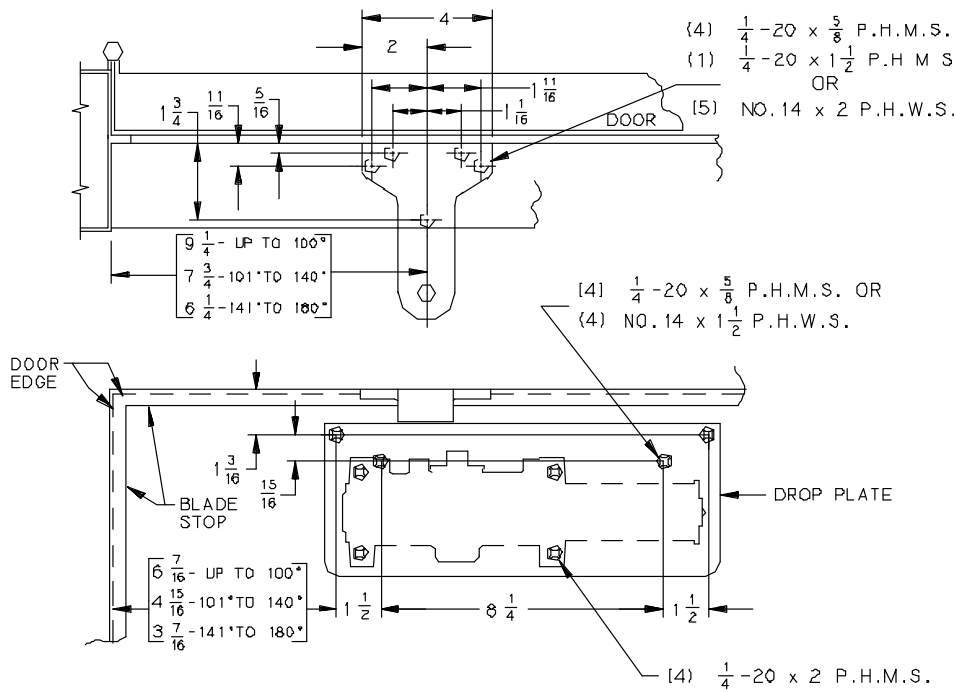
MIN. TOP RAIL 5 1/2"



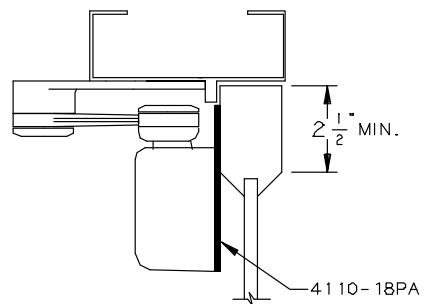
L.H. SHOWN, R.H. OPPOSITE

PUSH SIDE ON 18 APPLIES TO

- 4111 &
- 4112 } MAX OPENING 180°
- 4113 } NON HOLD OPEN (90°-180°)
- 4114 } H-180 (90°-180° HOLD OPEN)
- 4115 }
- 4116 }



MIN TOP RAIL 2 1/2"



L.H. SHOWN, R.H. OPPOSITE

GENERAL NOTES-

- 1 DELAYED ACTION OPTIONAL
- 2 MINIMUM DISTANCE BETWEEN 2 DOORS ON THE SAME JAMB IS 5 1/2".
- 3 LOCATE CLOSER & SHOE FROM C OF PIVOT OR SWING CLEAR HINGE IF USED
- 4 REINFORCING PER ANSI/SDI-100 RECOMMENDED FOR HOLLOW METAL DOORS AND FRAMES.
- 5 FOR 180° OPENING THE MAXIMUM ALLOWABLE BUTT SIZE IS 5" x 5".

AUXILIARY STOP RECOMMENDED

|      |     |       |        |       |        |        |        |         |         |
|------|-----|-------|--------|-------|--------|--------|--------|---------|---------|
| INCH | 1/4 | 5/16  | 5/8    | 11/16 | 15/16  | 1 1/16 | 1 1/2  | 1 11/16 | 1 3/4   |
| M.M. | 6   | 8     | 16     | 18    | 24     | 27     | 38     | 43      | 44      |
| INCH | 2   | 2 1/8 | 2 3/16 | 2 1/2 | 2 5/8  | 3      | 3 7/16 | 4       | 4 15/16 |
| M.M. | 51  | 54    | 56     | 64    | 67     | 76     | 87     | 102     | 125     |
| INCH | 5   | 5 1/2 | 6      | 6 1/4 | 6 7/16 | 7      | 7 3/4  | 8 1/4   | 9 1/4   |
| M.M. | 127 | 140   | 152    | 159   | 164    | 178    | 197    | 210     | 235     |

| No. | REVISION         | BY  | DATE | INGERSOLL-RAND ARCHITECTURAL HARDWARE LCN                                 | APP BY JEJ 6/96 |
|-----|------------------|-----|------|---|-----------------|
| 6   | TEMPLATE UPDATE  | JEJ | 6/96 | SMOOTHEE CLOSER (PUSH SIDE MOUNTED) WITH 62G SHOE, AND ON 4110-18PA PLATE | DO NOT SCALE    |
| 7   | REMOVE F.L. NOTE | CTB | 4/97 |   |                 |
| 8   | TEMPLATE UPDATE  | AMM | 2/98 |   |                 |

4110-62G