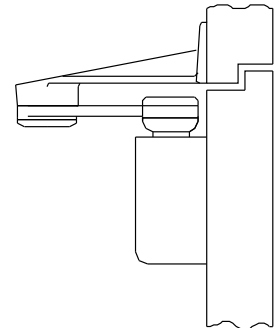
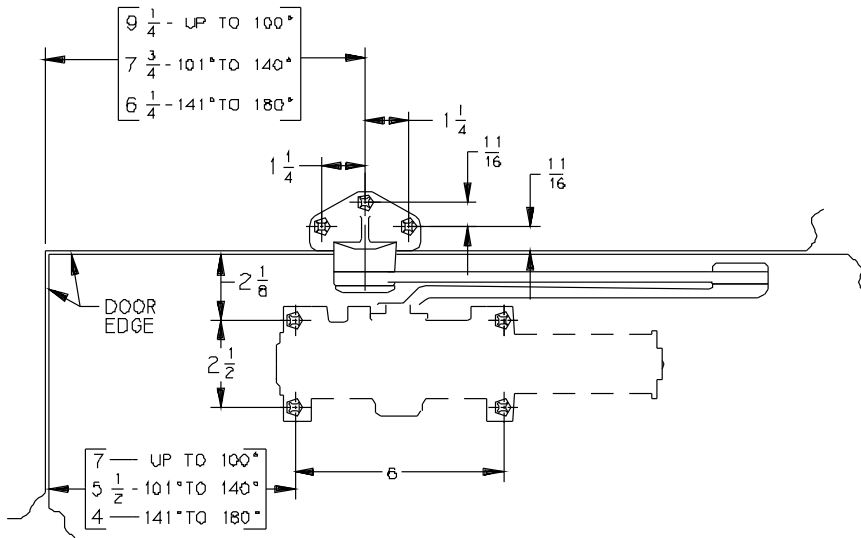


PUSH SIDE WITH 145 APPLIES TO.

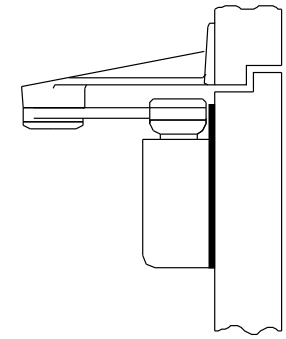
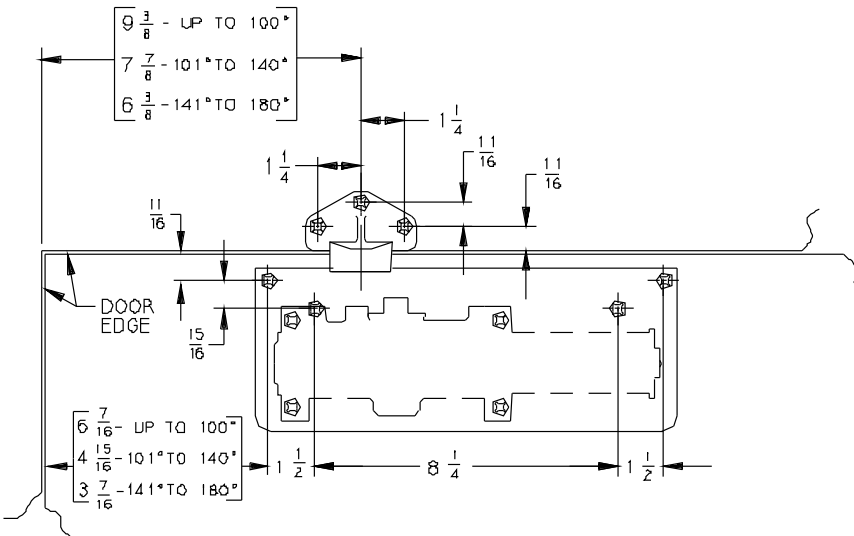
- 4 111
  - 4 112
  - 4 113
  - 4 114
  - 4 115
  - 4 116
- NON HOLD OPEN (90°-180°)  
H-180 (90°-180° HOLD OPEN)



L . H . SHOWN , R . H . OPPOSITE

PUSH SIDE WITH 145 APPLIES TO.

- 4 111
  - 4 112
  - 4 113
  - 4 114
  - 4 115
  - 4 116
- NON HOLD OPEN (90°-180°)  
H-180 (90°-180° HOLD OPEN)



L . H . SHOWN , R . H . OPPOSITE

Notes:

1. Minimum distance between 2 doors on the same jamb is 5 1/2.
2. Locate closer & shoe from centerline of pivot or swing clear hinge pin if used.
3. Reinforcing per ANSI/SDI-100 recommended for hollow doors and frames.
4. Delay action optional.
5. Closer size: 12 1/4 x 3 1/2 x 2 1/4.

AUXILIARY STOP RECOMMENDED

INCH	1/4	5/16	5/8	11/16	3/4	15/16	1 1/16	1 1/4	1 1/2
M.M	6	8	16	18	19	24	27	32	38

INCH	1 11/16	1 3/4	2	2 1/8	2 3/16	2 1/2	3	7/16	4
M.M	43	44	51	54	56	64	76	87	102

INCH	4 15/16	5	5 1/2	6	6 1/4	6 7/16	7	7 3/4	8 1/4	9 1/4
M.M	125	127	140	152	159	164	178	197	210	235

No.	REVISION	BY	DATE



APP BY AMM 8/01  
DQ NOT SCALE

SMOOTHEE CLOSER (PUSH SIDE MOUNTED)  
WITH 145 SHOE & ON 18 DROP PLATE

**4110 w/ 145 SHOE**