

# 4040 - SEC INSTRUCTION SHEET

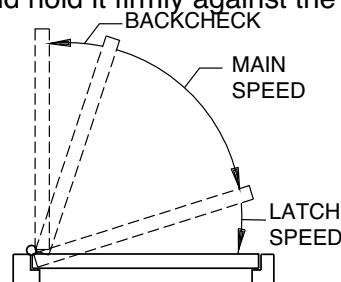
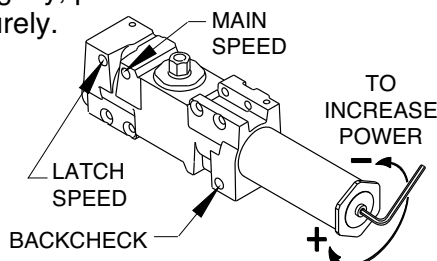
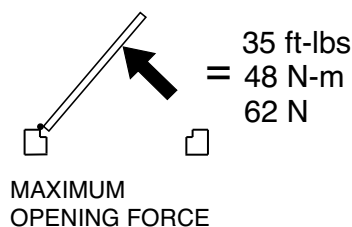
1. This closer features two mounting options. Before beginning, determine which type of mounting best applies to your application or has been specified for the job, then be sure to use the proper template. **The SEC is designed to be a companion unit to the 4040 SED.** See SED instructions for detailed wiring information.
2. The voltage supplied to door frame **MUST** be 24V. If **concealed wiring** is desired, prepare the frame to specifications shown on the corresponding template (pull side or push side). If **surface wiring** is desired, be sure to mount track on frame **before** running any EMT / conduit. NOTE: For push side mounting, the conduit quick connect cannot be used.
3. Depending on mounting used, insert proper track plugs into either side or top of the track. Using fasteners provided, mount track on frame to the dimensions of the template being used. Remove cover plate and make electrical connections (See Pg. 2). NOTE: Switch hole in cover plate **MUST** be aligned with test / release switch when re-attaching plate to track.
4. Before mounting closer, the spring power may need adjusting. The 4040 SEC comes preset as a size 3. This will control a door up to 38" wide. If door is wider than 38", adjust closer as shown (see illustration below) up to 7 full turns. Starting the cover screws at this point is recommended. Using fasteners provided, mount closer on door to the dimensions of the template being used.
5. **ARM INSTALLATION:** Place arm spacer over top shaft of closer. Install arm as follows:

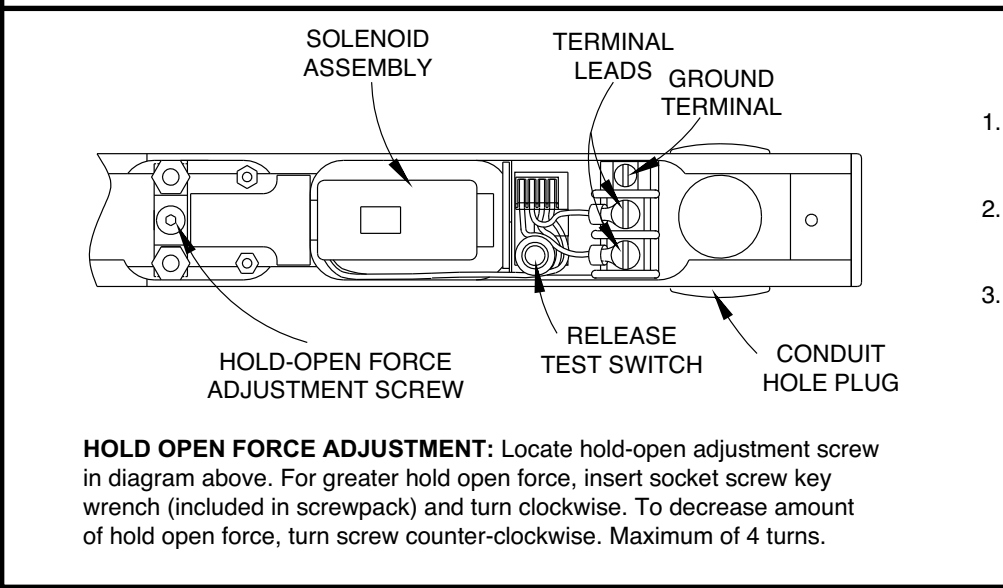
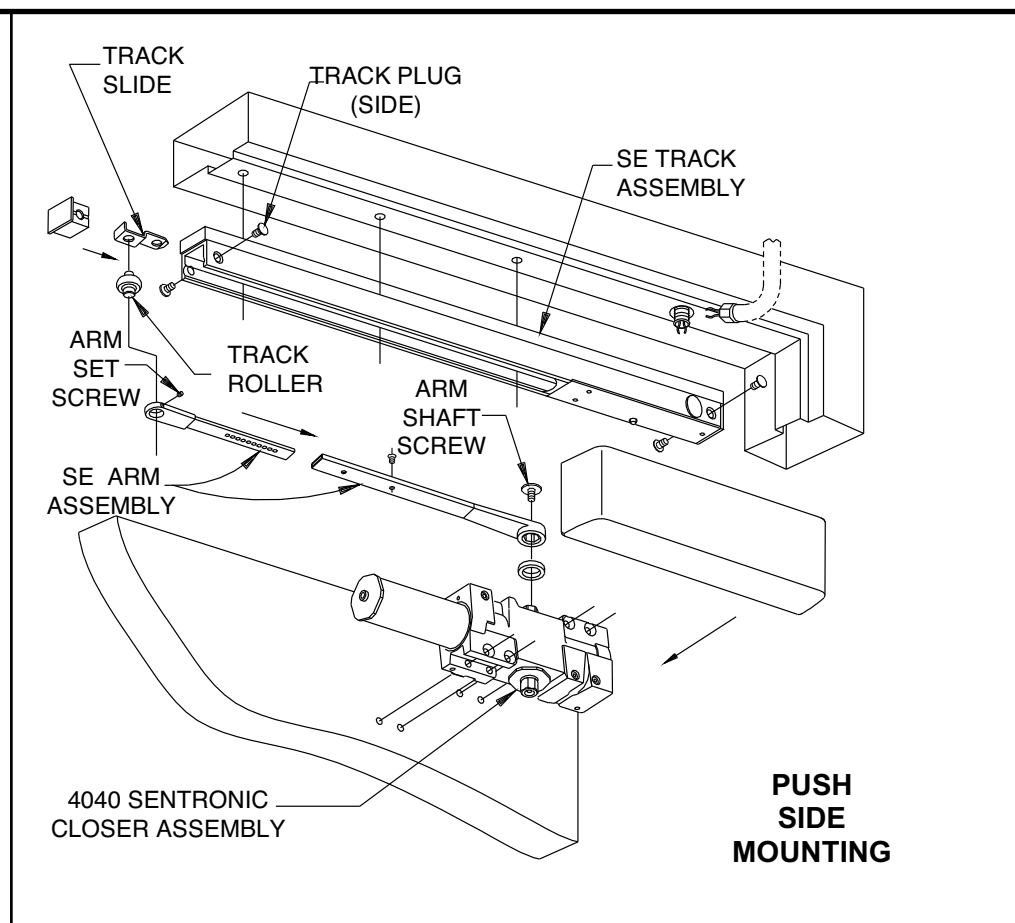
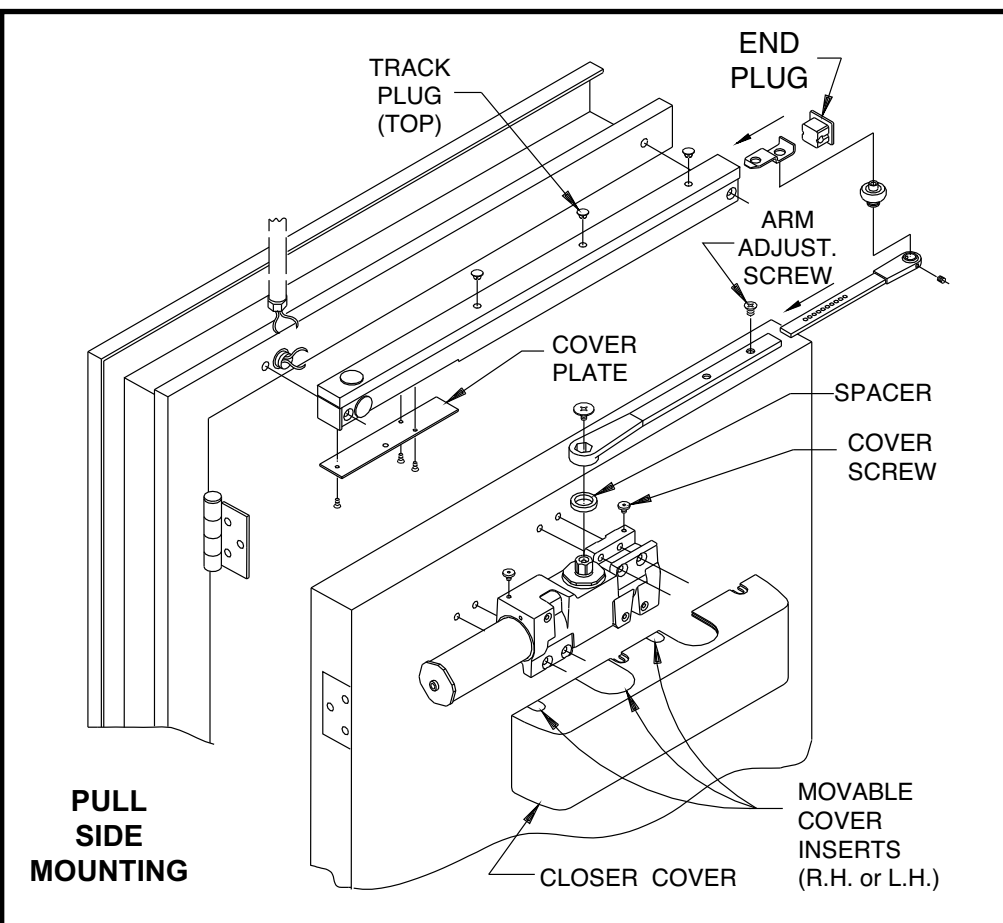
**Push side mounting:** Place arm hub over top closer shaft, parallel with door. Place a wrench on bottom shaft of closer and rotate away from door. When flats in arm hub line up with the first available flats of the shaft, slide arm hub onto shaft. Insert shaft screw and tighten securely.

**Pull side mounting:** Place arm hub over top closer shaft, parallel with door. Rotate arm away from door until flats in arm hub line up with first available flats of shaft. Slide arm hub onto closer shaft. Insert shaft screw and tighten securely.

6. Loosen the set screw in arm. Connect arm to track roller, and tighten set screw firmly.
7. **To adjust hold-open position of door:** Remove screw in the adjustable arm and open door to desired position. Re-insert screw and tighten securely.
8. **REGULATION:** The 4040 SEC has been regulated prior to shipment. If adjustment are needed, use socket screw key furnished and follow instructions below. Do not allow door to slam into frame. A "normal" closing time from a 90° position is 5 to 7 seconds, evenly divided between **MAIN** and **LATCH SPEED**. To adjust **MAIN SPEED**, turn regulating screw (see illustration) clockwise to slow speed or c.c.w. to increase speed. **LATCH SPEED** is adjusted in the same way. When adjusting **BACKCHECK**, use least amount necessary to retard swing of door sufficiently. To adjust **BACKCHECK**, turn regulating screw clockwise to increase the amount of force or c.c.w. to reduce the amount of force. **DO NOT USE AN ABRUPT BACKCHECK SETTING OR EXPECT THE DOOR CLOSER TO AS A STOP!**

9. With the door open slightly, place the cover on the closer and hold it firmly against the door while tightening the cover screws securely.





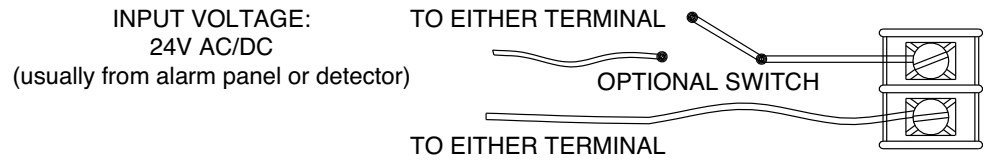
**ELECTRICAL CHECKOUT:**

1. With power on, open door completely. Door should remain in open position. If door does not stay open, check electrical input.
2. Push release test switch. Door should close immediately. Open the door to hold-open position and let it remain there.
3. System should be checked at frequent intervals. It is suggested that step 2 be repeated every 90 days.

**⚠ WARNING**

HAZARDOUS VOLTAGE CAN SHOCK AND CAUSE SEVERE INJURY. Disconnect power before making any electrical connections or performing maintenance.

**WIRING DIAGRAM - POLARITY NOT IMPORTANT**



4040SEC } 85° to 110° HOLD OPEN

AUXILIARY STOP RECOMMENDED

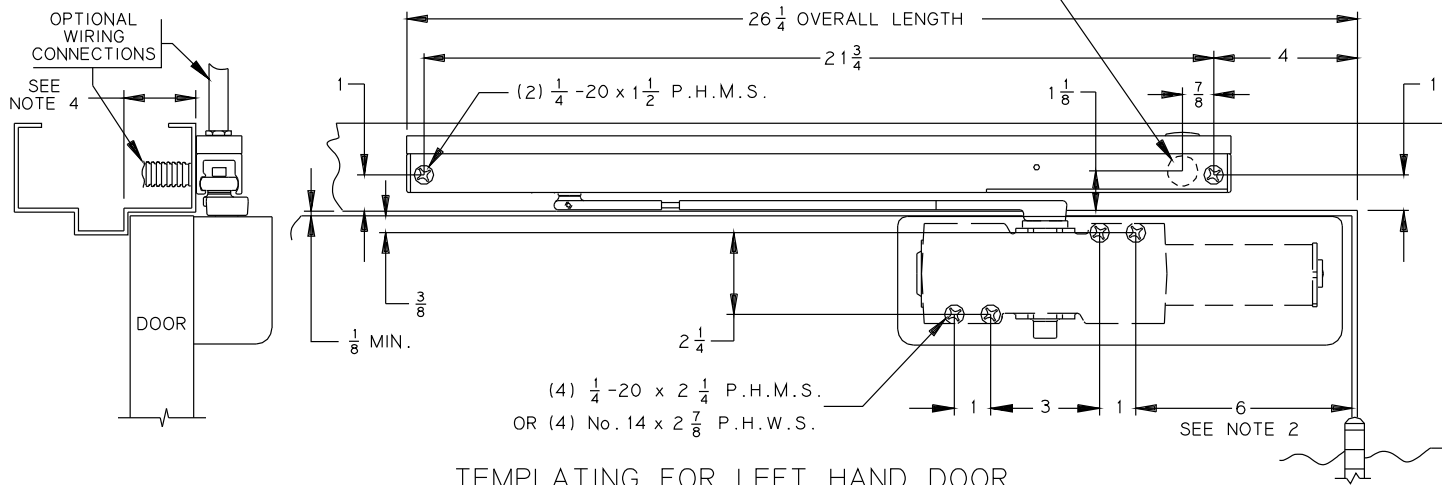
**WARNING**



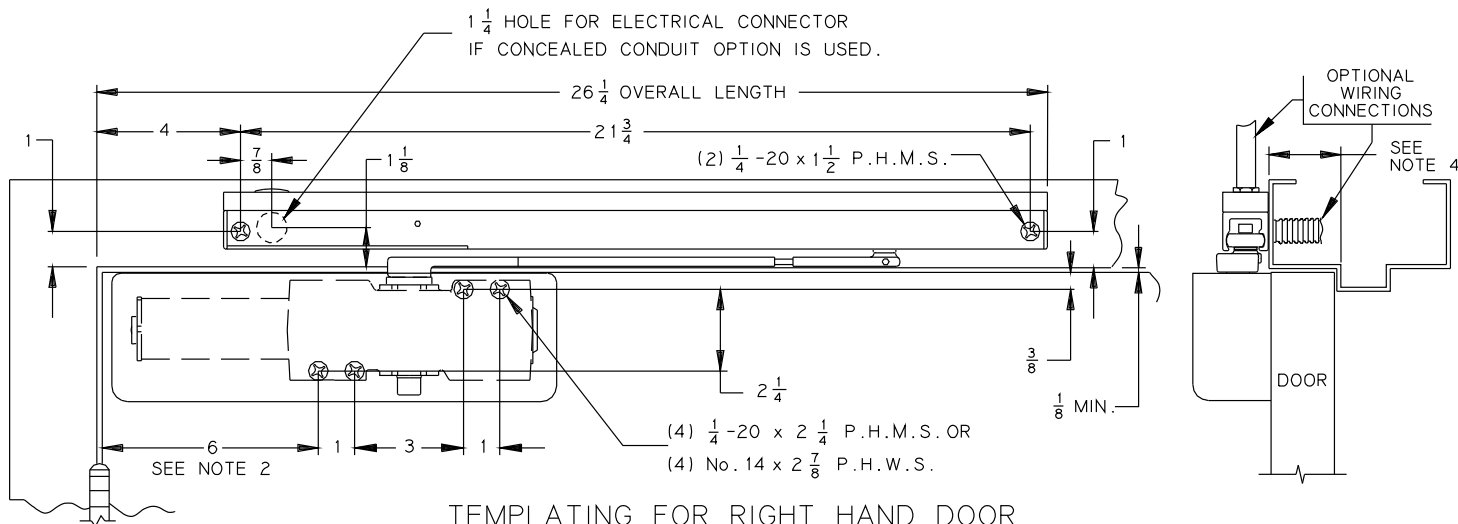
HAZARDOUS VOLTAGE  
CAN SHOCK AND  
CAUSE SEVERE INJURY  
Disconnect power before  
making any electrical  
connections or performing  
maintenance.

**DOOR HOLDER SOLENOID DATA**  
24 VAC - DC Nominal = 10% - 15% @ .090 Amp.Max.

1 1/4 HOLE FOR ELECTRICAL CONNECTOR IF  
CONCEALED CONDUIT OPTION IS USED.



TEMPLATING FOR LEFT HAND DOOR



TEMPLATING FOR RIGHT HAND DOOR

**NOTES-**

1. Voltage supplied to unit **MUST** match voltage shown on Sentronic® label.
2. If door is hung on pivots: Locate closer and track from pivot point of center pivot. For offset pivots, locate from pivot point and add 3/8".
3. Floor or wall stops must be used.
4. If this dimension is greater than 1 15/16", consult factory.
5. Reinforcing per ANSISDI-100 is recommended for hollow metal doors and frames.
6. If swing clear hinges are being used, consult factory.

INCH	1/8	1/4	3/8	7/8	15/16	1	1 1/16	1 1/8
M.M.	3	6	10	22	24	25	27	29

INCH	1 1/2	1 15/16	2 1/4	2 7/8	3	4	6	21 3/4	22 1/2
M.M.	38	49	57	73	76	102	152	552	572

No.	REVISION	BY	DATE

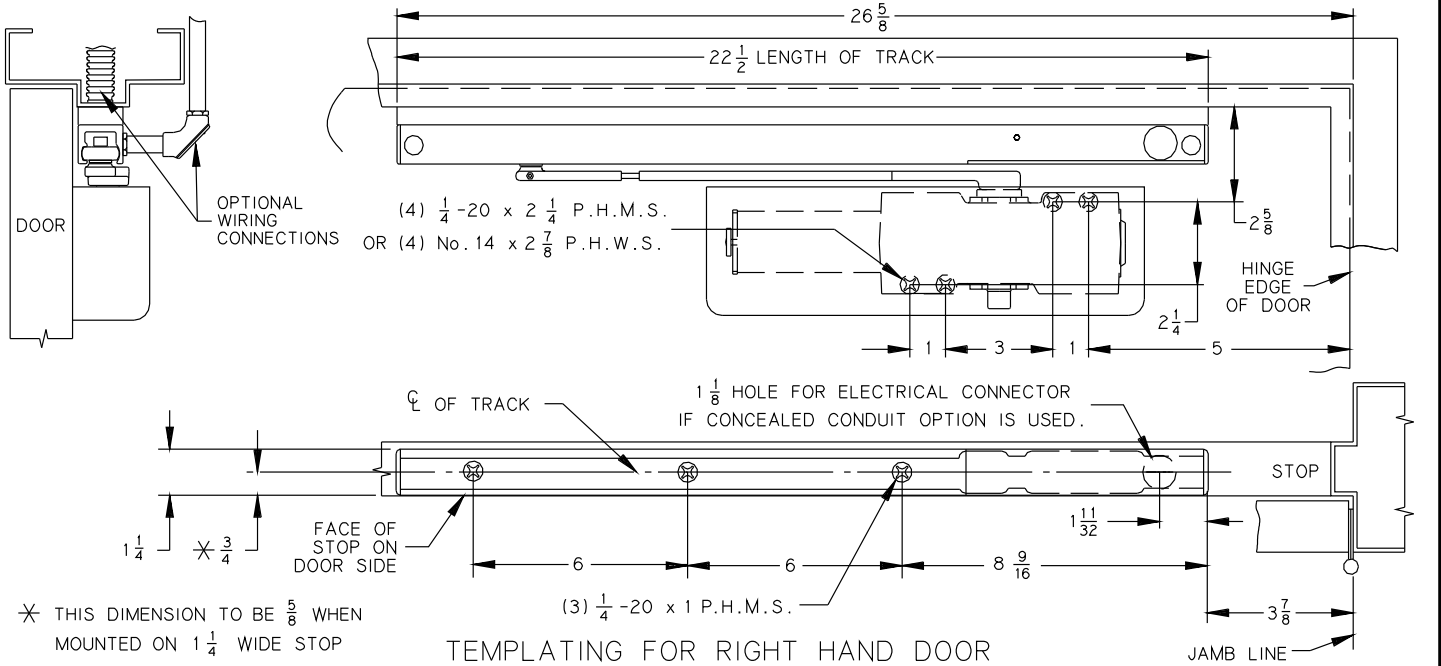


DRW BY CTB 2/94  
DO NOT SCALE

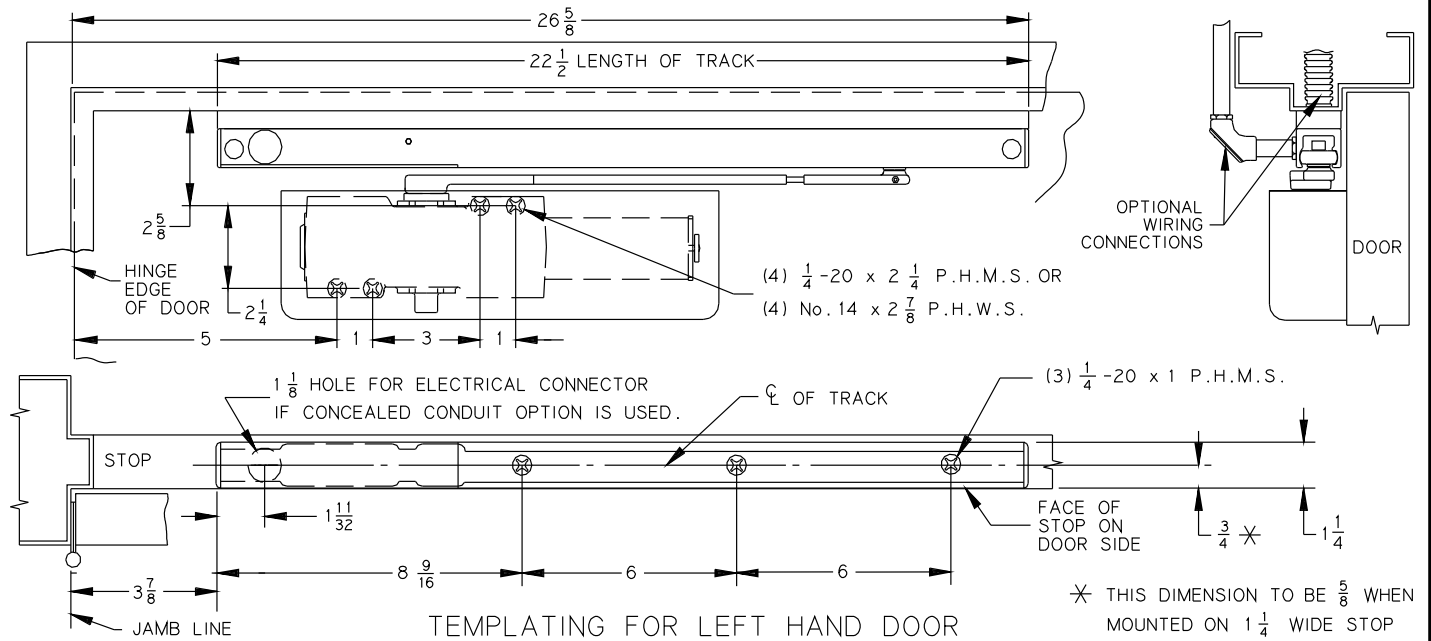
PULL SIDE MOUNT 4040SEC COMPANION  
CLOSER WITH ELECTRONIC RELEASE  
**4040SEC** PULL SIDE  
MOUNTING

**DOOR HOLDER SOLENOID DATA**  
 24VAC - DC Nominal =10% - 15% @ .090 Amp. Max.

4040SEC } 85° to 110° HOLD OPEN  
 AUXILIARY STOP RECOMMENDED



TEMPLATING FOR RIGHT HAND DOOR



TEMPLATING FOR LEFT HAND DOOR

**NOTES-**

1. Voltage supplied to unit **MUST** match voltage shown on Sentronic® label.
2. Electrical connector is provided by LCN.
3. Locate closer and track from  $\text{C}$  of pivot or swing - clear hinge pin, if used.
4. Floor or wall stops should be used.
5. Reinforcing per ANSI/SDI-100 is recommended for hollow metal doors and frames.

**WARNING**

HAZARDOUS VOLTAGE CAN SHOCK AND CAUSE SEVERE INJURY  
 Disconnect power before making any electrical connections or performing maintenance.

INCH	1/4	9/16	5/8	1	1 1/8	1 1/4	1 11/32	1 1/2	2 1/4
M.M.	6	14	16	25	29	32	34	38	57
INCH	2 5/8	2 7/8	3	3 7/8	15	6	8 9/16	22 1/2	26 3/8
M.M.	67	73	76	98	127	152	217	572	670

No.	REVISION	BY	DATE

**IR LCN**  
 DRW BY CTB 1/94  
 DO NOT SCALE  
 PUSH SIDE MOUNT 4040SEC COMPANION CLOSER WITH ELECTRONIC RELEASE  
**4040SEC** PUSH SIDE MOUNTING