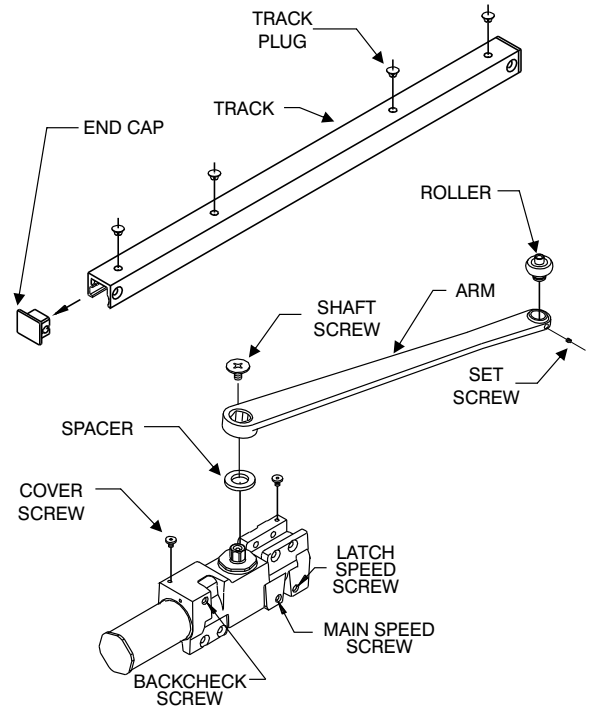


# 4003T / 4004T INSTALLATION & INSTRUCTION

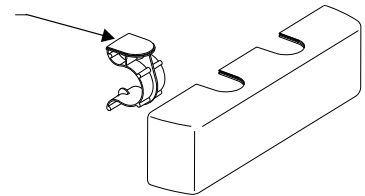
**CAUTION**

IMPROPER INSTALLATION OR REGULATION MAY RESULT IN PERSONAL INJURY OR PROPERTY DAMAGE. FOLLOW ALL INSTRUCTIONS CAREFULLY. FOR QUESTIONS, CALL LCN AT 800 - 526 - 2400

1. The 4000T Model is for a 90° Pocket Installation only. Determine required template for your installation, (see following pages) and mount closer on wall to dimensions shown. Secure with screws provided.
2. Remove end cap from track, and insert track roller. Replace end cap, then mount track on door to dimensions shown. Secure with screws provided. Place track plugs in holes on top of track.
3. Loosen set screw in arm. Connect arm to track roller, and tighten set screw firmly.
4. Place arm spacer over top shaft to closer. **DOOR MUST REMAIN IN CLOSED POSITION FOR FOLLOWING ASSEMBLY STEPS.**
5. Swing arm toward closer and rest the hub of the arm on top of the closer shaft.
6. Place a wrench on the bottom shaft of the closer, and rotate away from the hinge (approx. 30°). When the flats in the arm line up with first available flats of the shaft, slide the arm hub over the shaft. Insert the shaft screw and tighten securely.



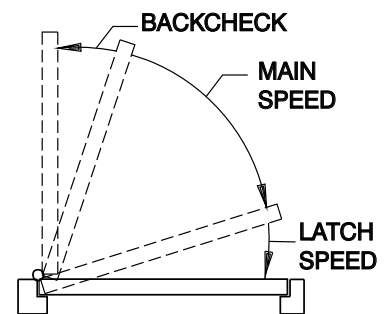
REMOVABLE SNAP ON INSERT TO CONVERT TO OPPOSITE HAND COVER



Note: Use screws for metal cover only.

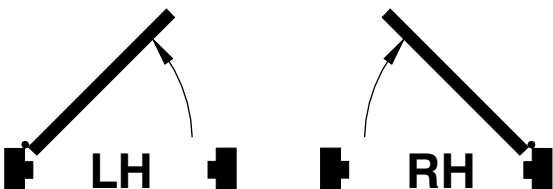
## REGULATION:

Do not allow door to slam into frame. A "normal" closing time from a 90° position is 5 to 7 seconds, equally divided between **MAIN SPEED** and **LATCH SPEED**. If adjustments are needed, use a 3/32" hex wrench. To adjust **MAIN SPEED**, turn regulating screw clockwise to slow door speed or c.c.w. increase speed. **LATCH SPEED** is adjusted in the same way. When adjusting the **BACKCHECK**, turn regulating screw clockwise to increase amount of force or c.c.w. to reduce the amount of force. **DO NOT USE ABRUPT BACKCHECK SETTING OR EXCEPT CLOSER TO ACT AS A STOP !**



## ATTACH COVER

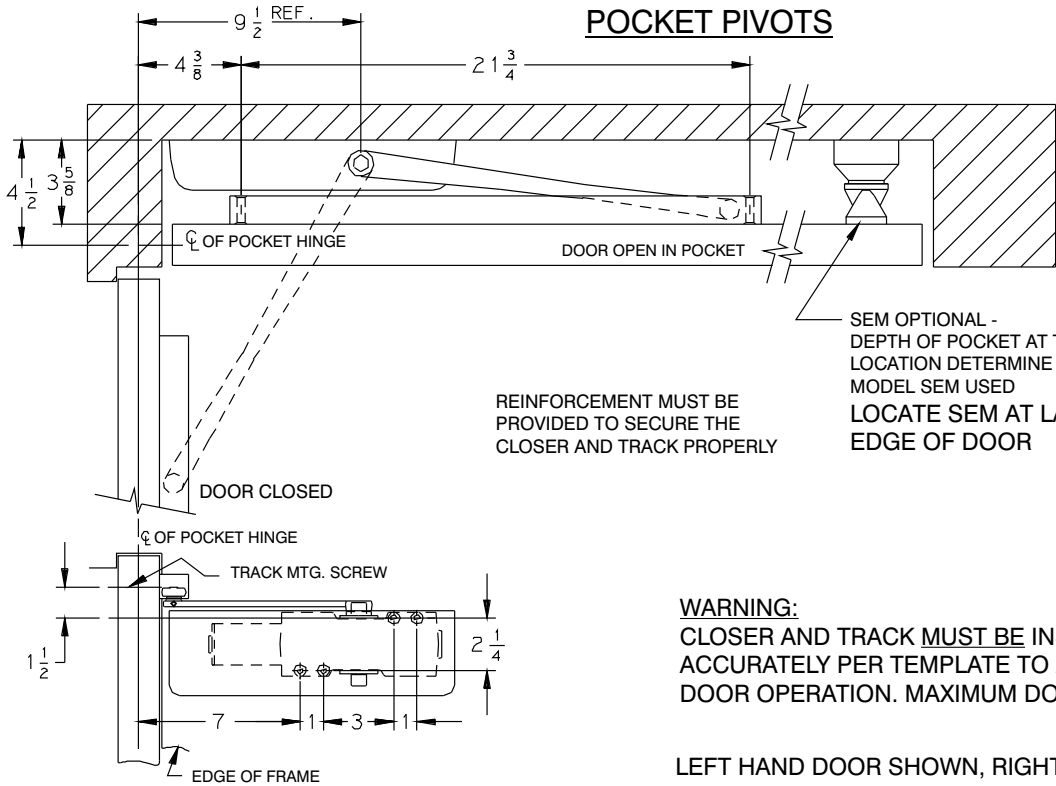
With regulation done, place snap on clip insert into proper cutout then snap cover assembly onto spring tube.



**WARNING**

DO NOT REMOVE SPRING TUBE FROM THIS PRODUCT EXTREMELY STRONG SPRINGS INSIDE IF REPAIRS AS NECESSARY RETURN TO FACTORY.

## POCKET PIVOTS



REINFORCEMENT MUST BE PROVIDED TO SECURE THE CLOSER AND TRACK PROPERLY

SEM OPTIONAL - DEPTH OF POCKET AT THIS LOCATION DETERMINE BY MODEL SEM USED  
LOCATE SEM AT LATCH EDGE OF DOOR

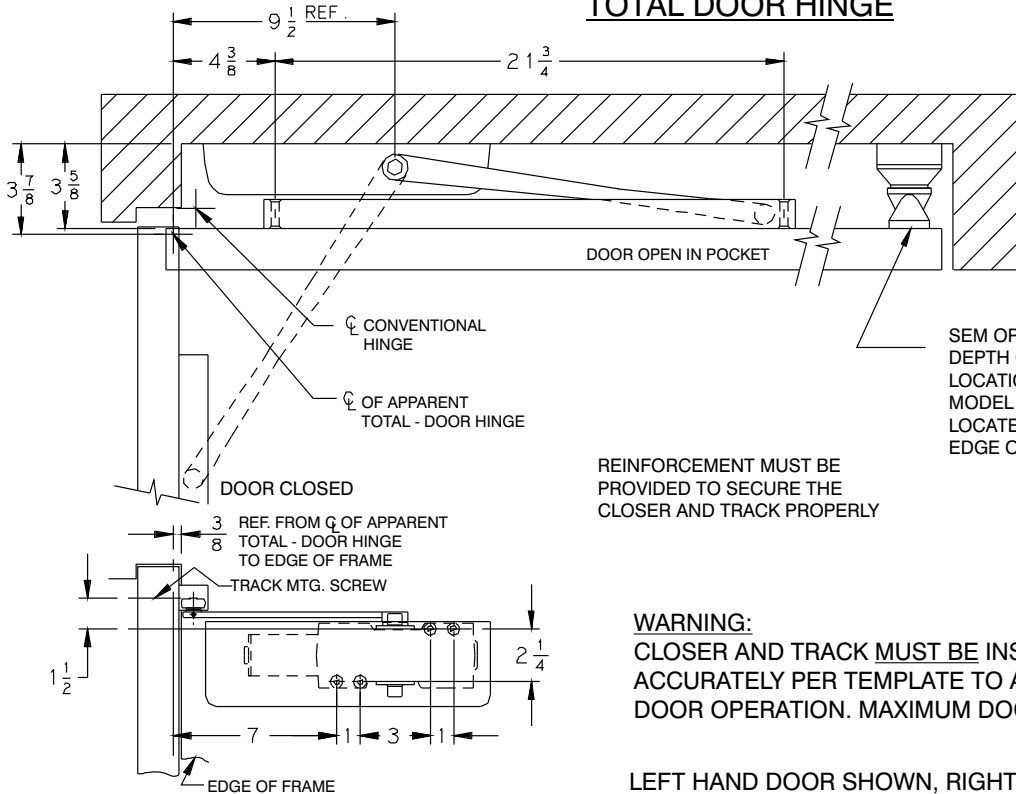
**WARNING:**  
CLOSER AND TRACK MUST BE INSTALLED ACCURATELY PER TEMPLATE TO ASSURE PROPER DOOR OPERATION. MAXIMUM DOOR HOLD OPEN 90°

LEFT HAND DOOR SHOWN, RIGHT HAND OPPOSITE

POCKET INSTALLATION APPLIES TO:

4003T } MAX. OPENING 90°  
4004T } HOLD OPEN POINT 90°  
WITH MAGNET  
AUXILIARY STOP RECOMMENDED

## TOTAL DOOR HINGE



REINFORCEMENT MUST BE PROVIDED TO SECURE THE CLOSER AND TRACK PROPERLY

SEM OPTIONAL - DEPTH OF POCKET AT THIS LOCATION DETERMINED BY MODEL SEM USED  
LOCATE SEM AT LATCH EDGE OF DOOR.

**WARNING:**  
CLOSER AND TRACK MUST BE INSTALLED ACCURATELY PER TEMPLATE TO ASSURE PROPER DOOR OPERATION. MAXIMUM DOOR HOLD OPEN 90°

LEFT HAND DOOR SHOWN, RIGHT HAND OPPOSITE

POCKET INSTALLATION APPLIES TO:

4003T } MAX. OPENING 90°  
4004T } HOLD OPEN POINT 90°  
WITH MAGNET  
AUXILIARY STOP RECOMMENDED

### GENERAL NOTES:

1. CLOSER SIZE: 12 1/4 x 3 1/2 x 2 5/32.
2. SPECIAL TEMPLATE FOR USE WITH SWING CLEAR HINGES.
3. REINFORCING PER ANSI/SDI-100 RECOMMENDED FOR HOLLOW DOORS AND FRAMES.

INCH	1/4	3/8	1	1 1/2	2 1/8	2 5/32	2 1/4	2 3/8	2 7/8
M.M.	6	10	25	38	54	55	57	60	73

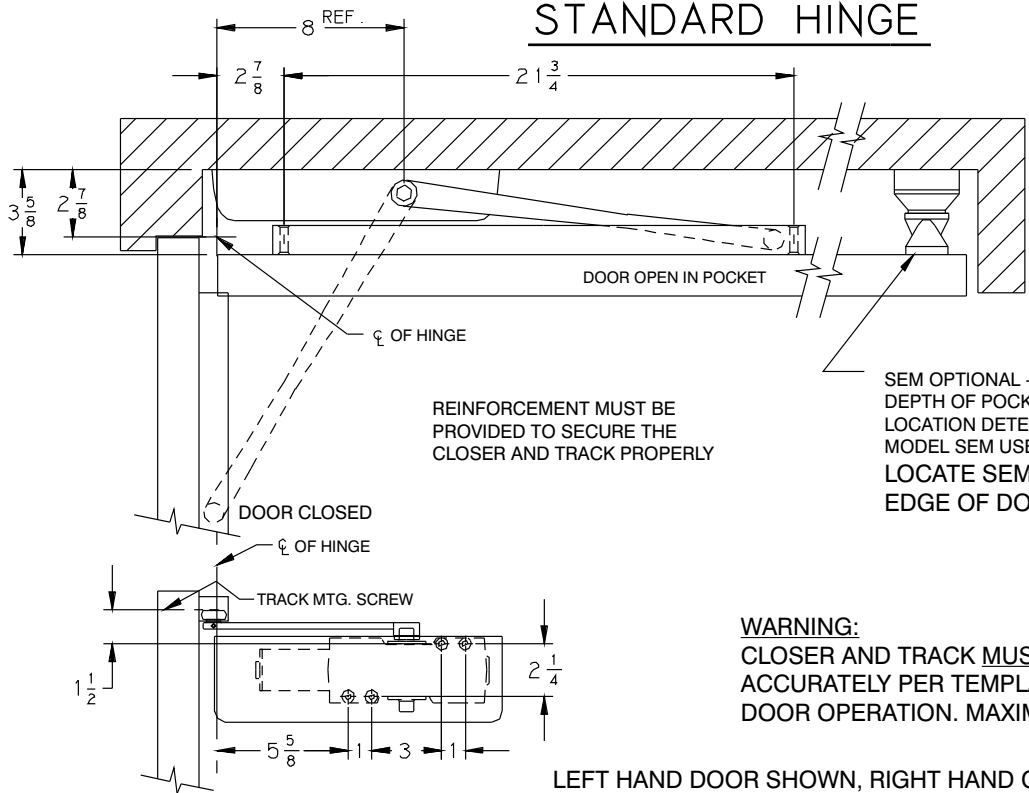
INCH	3	3 1/2	3 5/8	3 7/8	4 3/8	4 1/2	7	9 1/2	12 1/4	2 1/4
M.M.	76	89	92	98	112	114	178	241	311	552

# 4000T

PULL SIDE MOUNT FOR 90° INSTALLATION

**LCN**  
1-800-526-2400

# STANDARD HINGE



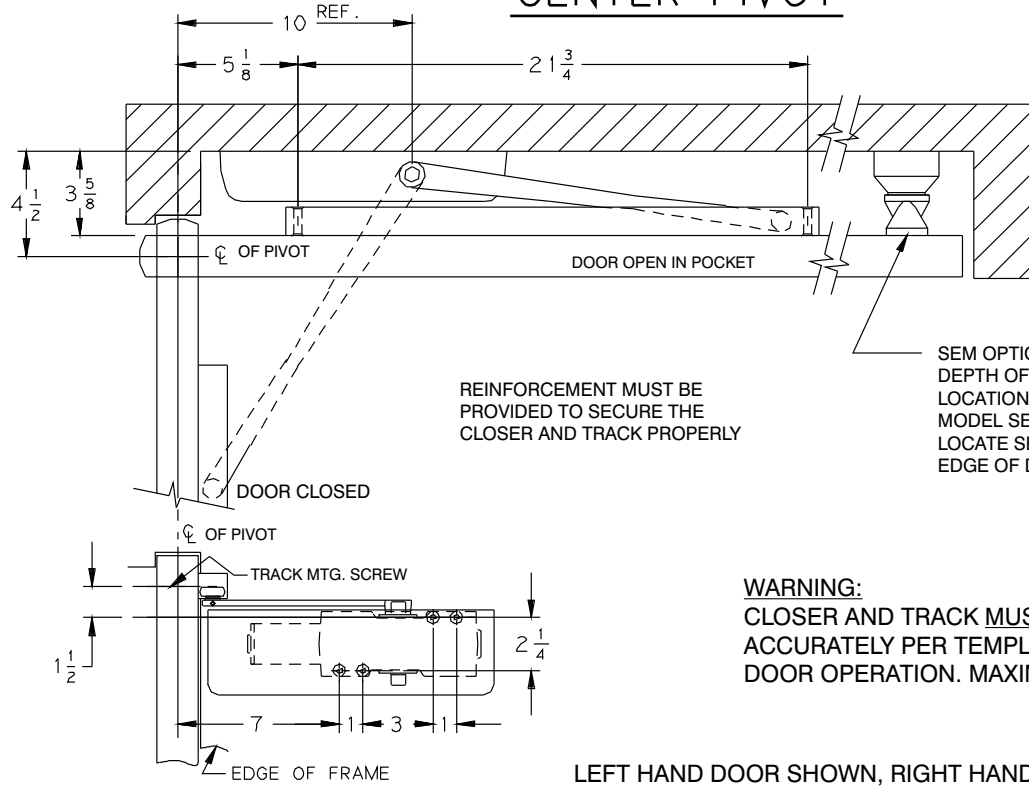
POCKET INSTALLATION APPLIES TO:  
 4003T } MAX. OPENING 90°  
 4004T } HOLD OPEN POINT 90°  
 WITH MAGNET  
 AUXILIARY STOP RECOMMENDED

SEM OPTIONAL -  
 DEPTH OF POCKET AT THIS  
 LOCATION DETERMINE BY  
 MODEL SEM USED  
 LOCATE SEM AT LATCH  
 EDGE OF DOOR

**WARNING:**  
 CLOSER AND TRACK **MUST BE** INSTALLED  
 ACCURATELY PER TEMPLATE TO ASSURE PROPER  
 DOOR OPERATION. MAXIMUM DOOR HOLD OPEN 90°

LEFT HAND DOOR SHOWN, RIGHT HAND OPPOSITE

# CENTER PIVOT



POCKET INSTALLATION APPLIES TO:  
 4003T } MAX. OPENING 90°  
 4004T } HOLD OPEN POINT 90°  
 WITH MAGNET  
 AUXILIARY STOP RECOMMENDED

SEM OPTIONAL -  
 DEPTH OF POCKET AT THIS  
 LOCATION DETERMINED BY  
 MODEL SEM USED  
 LOCATE SEM AT LATCH  
 EDGE OF DOOR.

**WARNING:**  
 CLOSER AND TRACK **MUST BE** INSTALLED  
 ACCURATELY PER TEMPLATE TO ASSURE PROPER  
 DOOR OPERATION. MAXIMUM DOOR HOLD OPEN 90°

LEFT HAND DOOR SHOWN, RIGHT HAND OPPOSITE

INCH	1/4	3/8	1	1 1/2	2 1/8	2 1/4	2 5/32	2 3/8	2 7/8	3	
M.M.	6	10	25	38	54	57	55	60	73	76	
INCH	3 1/2	3 5/8	4 3/8	4 1/2	5 1/8	5 5/8	7	8	10	12 1/4	12 3/4
M.M.	89	92	112	114	130	143	178	203	254	311	552

**GENERAL NOTES:**

1. CLOSER SIZE: 12 1/4 x 3 1/2 x 2 5/32.
2. IF DOOR IS HUNG ON SWING CLEAR HINGES, CONSULT FACTORY.
3. REINFORCING PER ANSI/SDI-100 RECOMMENDED FOR HOLLOW DOORS AND FRAMES.

**4000T**  
 PULL SIDE MOUNT FOR 90° INSTALLATION

# SWING CLEAR HINGE

POCKET INSTALLATION APPLIES TO:

4003T } MAX. OPENING 90°  
 4004T } HOLD OPEN POINT 90°  
 WITH MAGNET

AUXILIARY STOP RECOMMENDED

