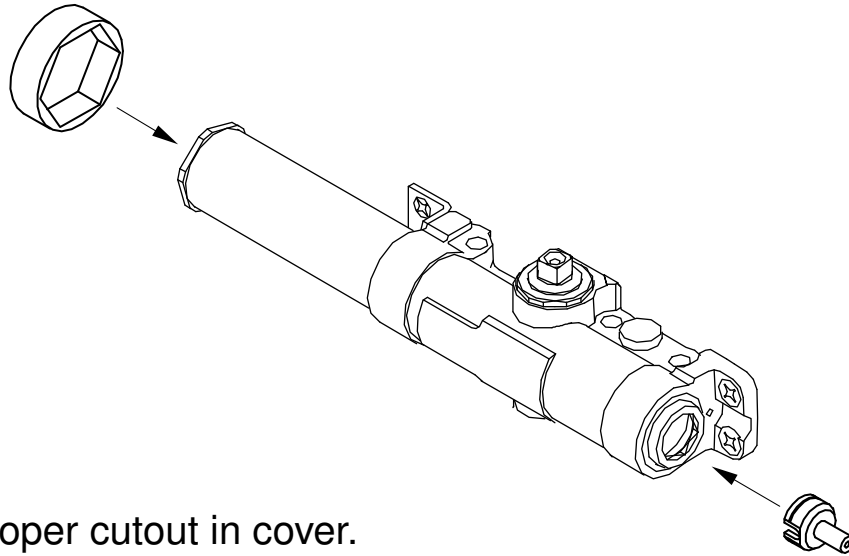


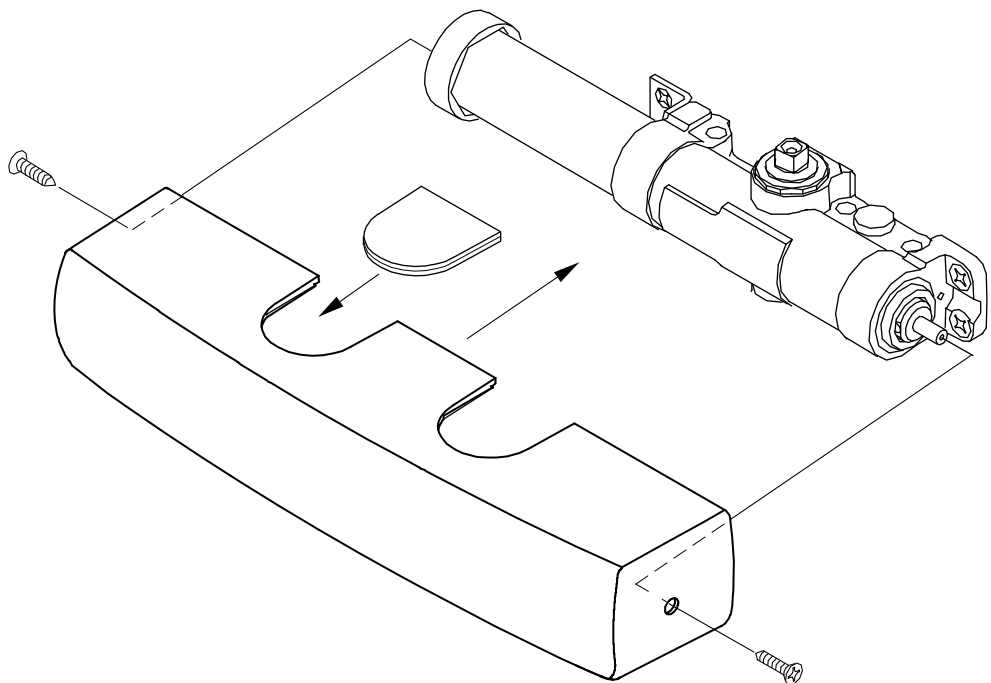
1461 DESIGNER SERIES COVER INSTALLATION INSTRUCTIONS

1. Attach white plastic cover adapters to both ends of door closer body.



2. Fit insert into proper cutout in cover.

3. Fit cover over closer body, aligning holes in ends of cover with holes in cover adapters.



4. Insert & tighten screws provided.