

1371 - 63 SHOE PLATE FLUSH CEILING APPLICATION

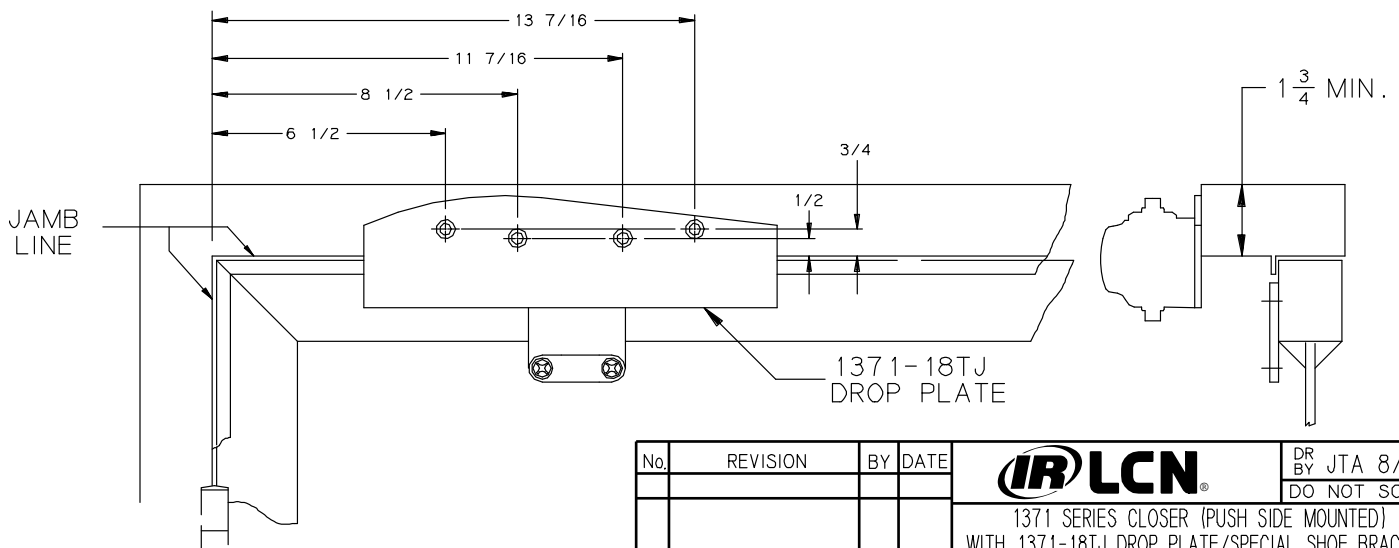
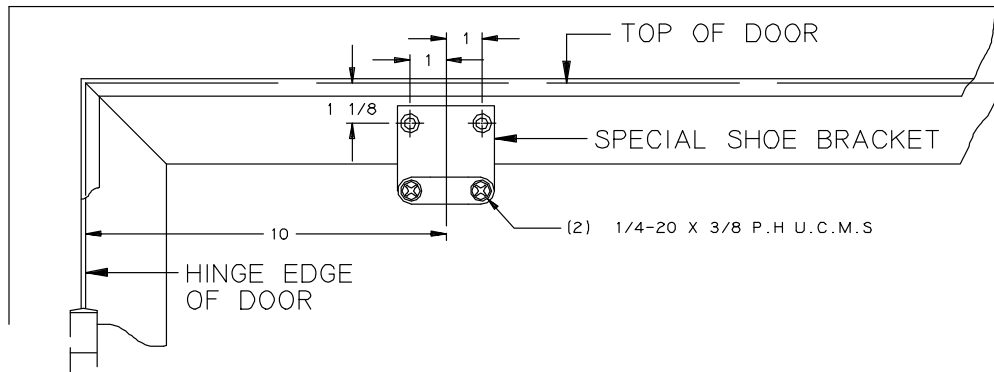
CAUTION

IMPROPER INSTALLATION OR REGULATION MAY RESULT IN PERSONAL INJURY OR PROPERTY DAMAGE. FOLLOW ALL INSTRUCTIONS CAREFULLY. FOR QUESTIONS, CALL LCN AT 800 - 526 - 2400

For use in "Flush Ceiling" condition where: 1 3/4" min. frame face & 2" min. door top rail.

1. Disregard "Stick - On" template packed with door closer.
2. Prepare door and frame per templating shown below.
3. Attach 1371 - 18TJ plate to frame. Attach 1371 - 63 shoe plate to door top rail.
4. Secure 1371 bracket to plate on frame.
5. Secure "rod & shoe" to plate on door top rail.
6. Follow installation instructions packed with 1371 door closer for remainder of installation.

1371	} HOLD OPEN UP TO 180° MAXIMUM OPENING 180°
LEFT HAND DOOR AND CLOSER SHOWN, RIGHT HAND OPPOSITE	11/99



No.	REVISION	BY	DATE

IR LCN[®]

DR BY JTA 8/99
DO NOT SCALE

1371 SERIES CLOSER (PUSH SIDE MOUNTED)
WITH 1371-18TJ DROP PLATE/SPECIAL SHOE BRACKET
1371 - 63 SHOE PLATE W / - 18TJ