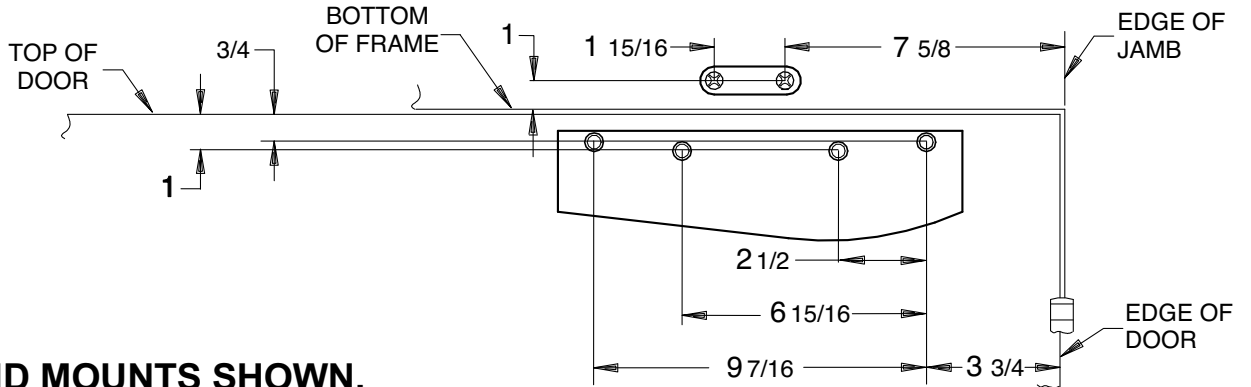


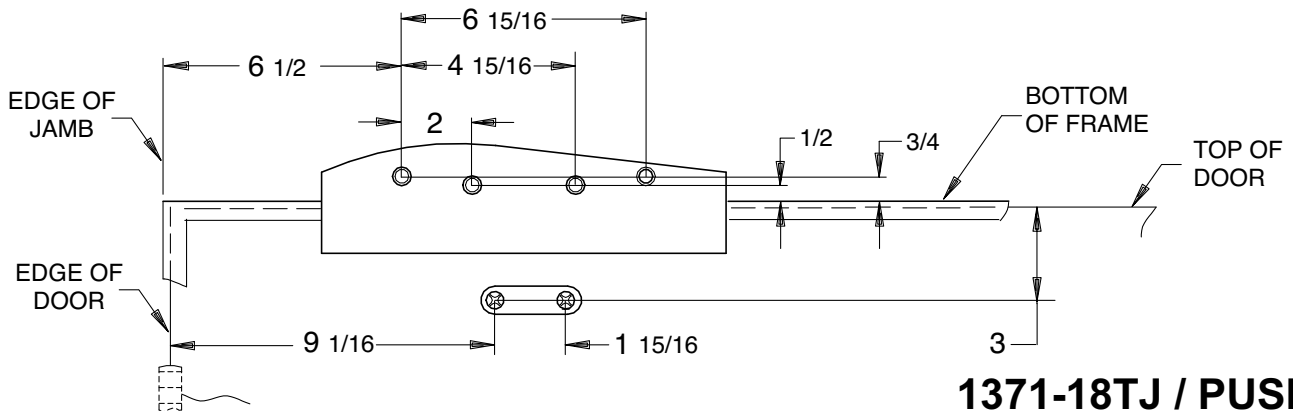
NOTE: For best results using LCN self-drilling screws:

- Use a center punch to mark holes
- Use 1800 RPM drill speed
- Drill 1/8" pilot hole at screw locations

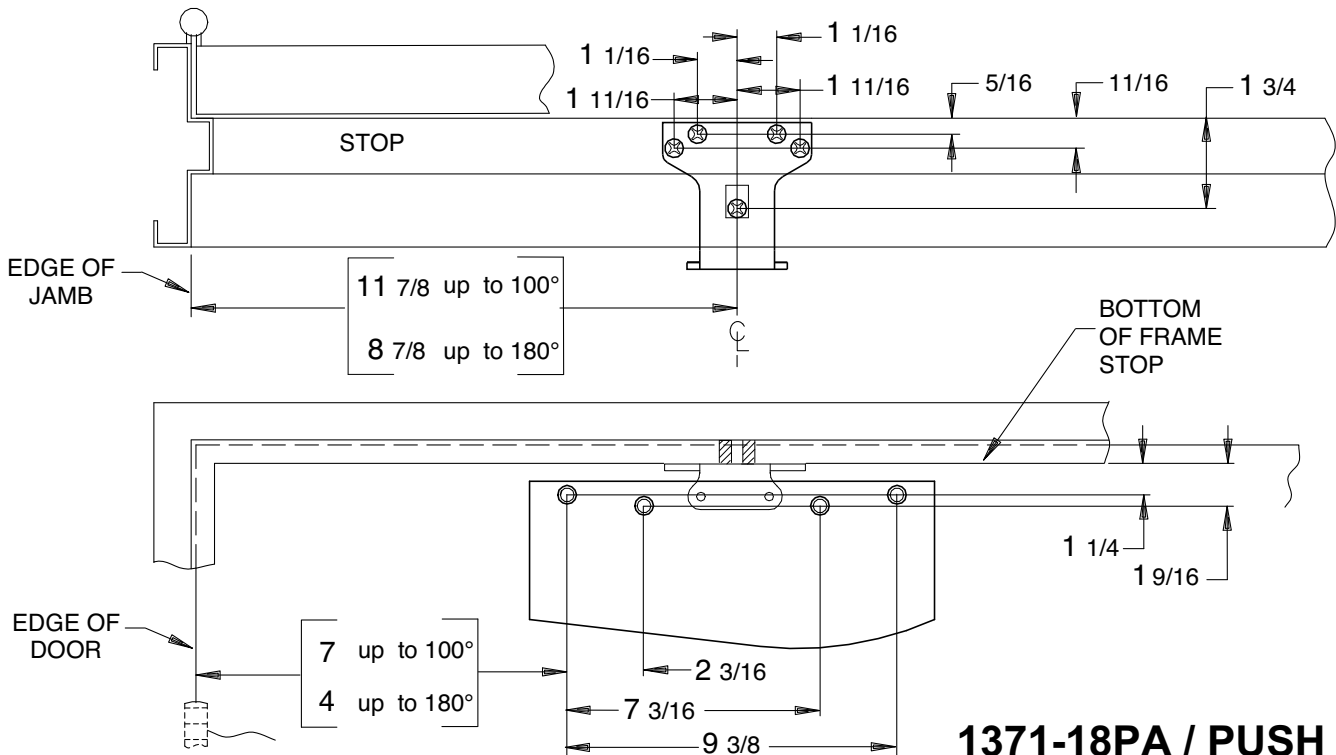


**LEFT HAND MOUNTS SHOWN,
RIGHT HAND OPPOSITE**

1371-18 / PULL SIDE



1371-18TJ / PUSH SIDE



1371-18PA / PUSH SIDE