

Fire/Life Safety Closers/ Holders Series



Overview

Sentronic Series LCN closers/holders combine heavy duty closers with electrically controlled hold-open functions to control fire and smoke barrier doors. Automatic detection and containment of fire and smoke are the best ways to minimize danger to life and property. Patented Sentronic door closer/holders are designed to hold swinging doors open in normal use then release and automatically close the doors under fire conditions. These products integrate into your complete fire and life safety system.

LCN's fire/life safety closers/holders series includes:

- SE Series - offers adjustable single-point hold-open function controlled by solenoid assembly located in the SE track
- ME Series - offers infinitely adjustable, multi-point hold-open function controlled by solenoid on the cylinder assembly
- SEM Series - Electromagnetic door holders work with manual door closer to provide single-point hold-open
- HSA Series - Best suited for high traffic emergency doors, this product provides easy passage for groups of pedestrians through high traffic doors with electronically controlled closer/holder

Features & Benefits

- Conforms to NFPA 101 and ANSI 156.15
- 24V AC/DC or 120V AC input
- When current is interrupted, hold-open releases and door closes
- Adjustable hydraulic backcheck cushions opening swing prior to 90°
- Separate regulation of general closing speed and latching speed
- Available in wide range of powder coated finishes to blend with door and frame (SEM magnets available in aluminum and dark bronze only)
- Circuit automatically handles AC or DC input
- Can be pushed safely and easily out of hold-open
- Functions as full rack and pinion door closer when hold-open is not engaged or current is interrupted
- High strength cast iron cylinder
- Forged steel main arm and piston
- All weather fluid

Holding Solenoids Current Draw

SE/ME

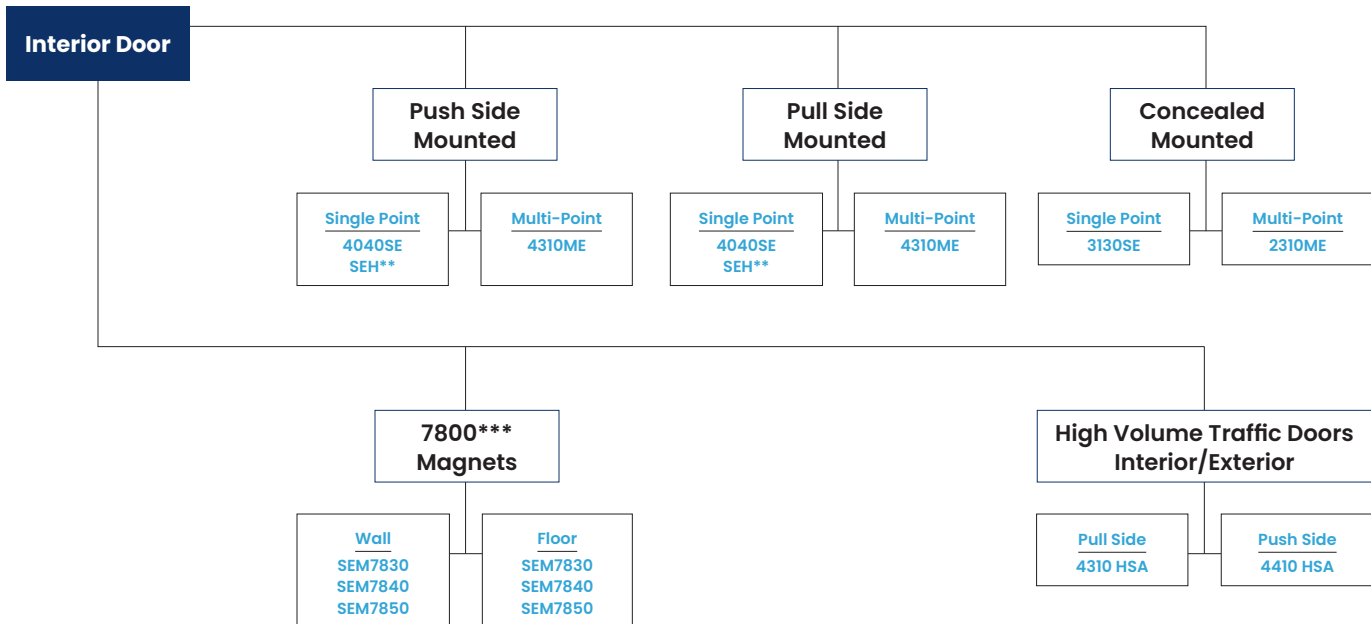
- 24V AC/DC (+10% - 15%) at 90 mA maximum
- 120V AC/DC (+10% - 15%) at 30 mA maximum

SEM (tri-volt)

- 12V DC (+10% - 15%) at 30 mA maximum
- 24V AC/DC (+10% - 15%) at 20 mA maximum
- 120V AC/DC (+10% - 15%) at 20 mA maximum

HSA

- 24V AC/DC (+10% - 15%) at 120 mA maximum



**See SEH section (cylinder not included).

***SEM 7800 Series are die cast.