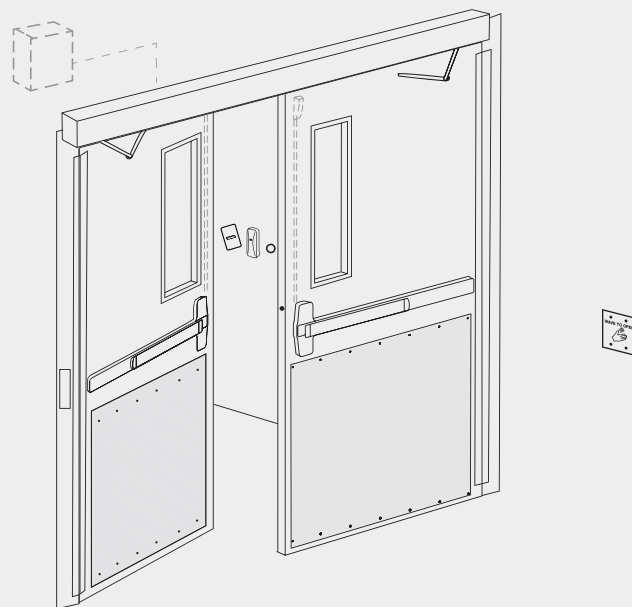


LCN®

# Touchless access solutions



## Overview

Allegion offers touchless technology that plays a role in minimizing transmission of surface-transmission germs by eliminating touch points in an entryway. While there are several ways to accomplish touchless operation, pairing low energy automatic operators with actuators or readers are the most common. Allegion takes the complexity out of specifying touchless access solutions by providing wiring and riser diagrams for common applications that show you how all the components of the solution work together.

## Service and support

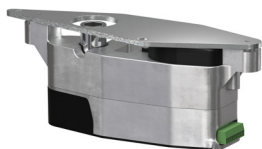
As solutions are reimagined to meet the new challenges of today's environment, put our experience to work for you. Beginning long before your first project, we seek to understand your needs and exceed your expectations. Contact an Allegion expert via [our website](#) or call 877-671-7011.

## Automatic operators

Automatic operators are key component in a touchless solution. They open the door electronically upon signal from an actuator, allowing a pedestrian to pass through without touching the door. For frequently actuated openings, Allegion recommends using an electromechanical device.

**Allegion also offers a solution tailored to the needs of low to medium traffic interior doors**

**6440**  
Door mount and frame mount



**2810**  
Concealed mount



**9130**  
Surface mount, pull side



**9540**  
Surface mount, push side



**9550**  
Surface mount, double door



### Electrohydraulic

Model	Application
6400 Series	Door mount - pull side; Door mount - parallel arm; Push side frame mount - top jamb

### Electromechanical

Model	Application
2810, 2850, 2860 Series	Concealed mount
9130, 9530, 9550, 9560 Series	Surface mount - pull side
9140, 9150, 9540, 9550, 9560 Series	Surface mount - push side
9550, 9560 Series	Surface mount - double egress

## Touchless actuators

Actuators provide a signal to the automatic operator to begin its opening cycle. Touchless actuators are installed in place of push buttons and comply with ANSI 156.19 low energy standards. When a pedestrian waves his or her hand in front of the wall plate, the technology senses the motion and acknowledges intent to enter. No contact with an actuator, door hand, push bar or door is required.

### Hardwired- Heavy duty

Model	Application
8310-810S	Single gang - text and wave icon, stainless steel
8310-810SA	Single gang - text and wheelchair icon, stainless steel
8310-810R	Round - text and wave icon, stainless steel
8310-810RA	Round - text and wheelchair icon, stainless steel
8310-810D	Double gang - text and wave icon, stainless steel
8310-810DA	Double gang - text and wheelchair icon, stainless steel



8310-810S



8310-810SA



8310-810R



8310-810RA



8310-810D



8310-810DA

### Hardwired- Standard duty

Model	Application
8310-813*	Single gang - text and wave icon, black Double gang - text and wave icon, black
8310-813WH*	Single gang - text and wave icon, white Double gang - text and wave icon, white
8310-813J	Jamb - text and wave icon, black
8310-813JWH	Jamb - text and wave icon, white
8310-813R	Round - text and wave icon, black
8310-813RWH	Round - text and wave icon, white



8310-813



8310-813WH



8310-813J



8310-813JWH



8310-813R



8310-813RWH

\* -813 black and white offerings ship with two faceplates – single gang and double gang.

# Touchless actuators

## Hardwired- Harsh conditions

Model	Application
8310-815	Surface mount box - text and wave icon



8310-815

## Battery powered

Model	Application
8310-2210	Battery powered kit, single gang, wave to open, stainless steel
8310-2310	Battery powered, single gang, wave to open, stainless steel
8310-2320	Battery powered, double gang, wave to open, stainless steel
8310-2330	Battery powered, jamb, wave to open, stainless steel
8310-2340	Battery powered, round, wave to open, stainless steel

Note: Battery powered touchless actuators are recommended for interior use only.



8310-2210



8310-2310



8310-2320



8310-2330



8310-2340

# RF Receivers and transmitters

LCN offers a variety of RF hardware to provide wireless actuation solutions.



8310-880



8310-881



8310-882



8310-883



8310-884



8310-885



8310-886

## 900 MHz Receiver and transmitters

Model	Application
8310-880	900 MHz receiver
8310-881	Handheld transmitters - 1 button
8310-882	Handheld transmitters - 2 button
8310-883	Handheld transmitters - 3 button
8310-884	Handheld transmitters - 4 button
8310-885	Retrofit transmitter*
8310-886	Hardwired transmitter

## 433 MHz Receiver and transmitters

Model	Application
8310-865	433 MHz Receiver
8310-861	Handheld transmitters - 1 button
8310-862	Handheld transmitters - 2 button
8310-863	Handheld transmitters - 3 button
8310-864	Handheld transmitters - 4 button
8310-844	Transmitter, wireless, 1 channel, wall mount, 9V
8310-844J	Transmitter, wireless, 1 channel, jamb mount, 3V

\*Despite allowing for a wireless actuation, the retrofit transmitter does require a power draw via wire

## Touchless series kits

Model	Description
8310-3813W	(2) 8310-813 touchless actuators (hardwired) (2) 885 Transmitters (1) 880 Receiver
8310-3810DW	(2) 8310-810D touchless actuators (hardwired) (2) 885 Transmitters (1) 880 Receiver
8310-3813RW	(2) 8310-813R touchless actuators (hardwired) (2) 885 Transmitters (1) 880 Receiver
8310-3810RW	(2) 8310-810R touchless actuators (hardwired) (2) 885 Transmitters (1) 880 Receiver
8310-3813JW	(2) 8310-813J touchless actuators (hardwired) (2) 885 Transmitters (1) 880 Receiver (1) 8310-819SJ box
8310-2210	(2) Battery powered, stainless steel, single gang surface mount, touchless actuators with built in transmitter (1) 915 MHz Receiver (2) surface mount boxes

## Restroom actuator kits

The restroom actuator kits are intended for single occupancy and family restrooms. Dual color illuminated LEDs provide notification of whether the restroom is occupied or vacant. Opening/closing and locking of the door is accomplished with a touchless actuator system. A logic module controls the electric strike, door operator, switches, and illumination.

### 8310-2410

#### Touchless Restroom Kit

- Advanced logic relay, 2 amp power supply, control box and transformer
- Wired touchless switch, "Wave to Lock", light ring, stainless faceplate
- Wired touchless switch, "Wave to Open", light ring, double gang stainless faceplate
- Wired touchless switch, "Wave to Open", double gang stainless faceplate
- Electric strike, Grade 2 ANSI, 3 faceplates
- Door position switch, surface



### About Allegion

Allegion (NYSE: ALLE) is a global pioneer in seamless access, with leading brands like CISA®, Interflex®, LCN®, Schlage®, SimonsVoss® and Von Duprin®. Focusing on security around the door and adjacent areas, Allegion secures people and assets with a range of solutions for homes, businesses, schools and institutions.

For more, visit [www.allegion.com](http://www.allegion.com)

KRYPTONITE ■ LCN ■  ■ STEELCRAFT ■ VON DUPRIN



© 2023 Allegion  
013559, Rev. 03/23  
[www.allegion.com/us](http://www.allegion.com/us)