

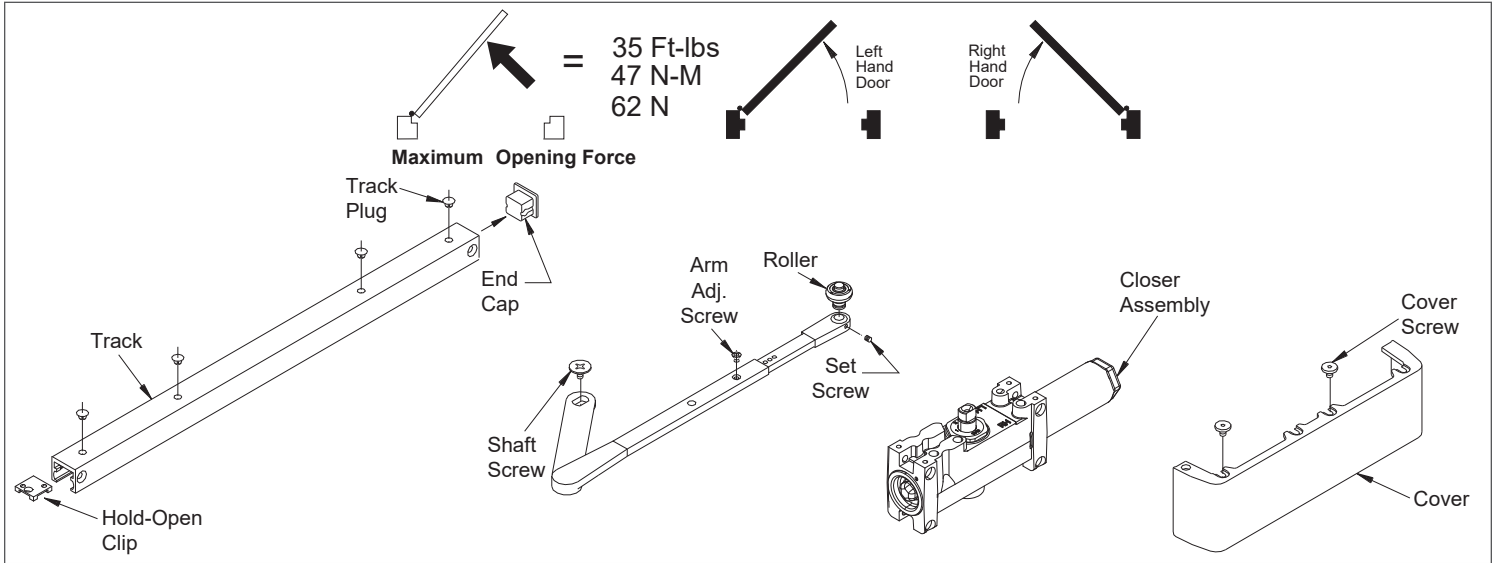


23652

4010T DE

LCN®

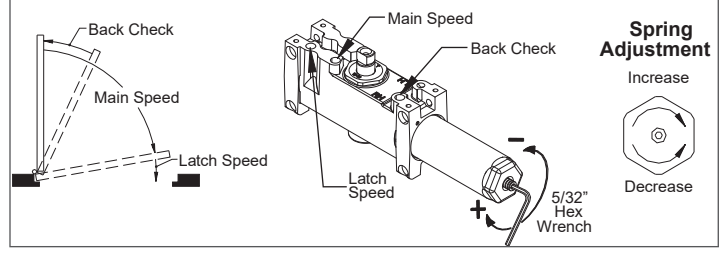
Installation Instructions



1 Installation	3 Backcheck
-----------------------	--------------------

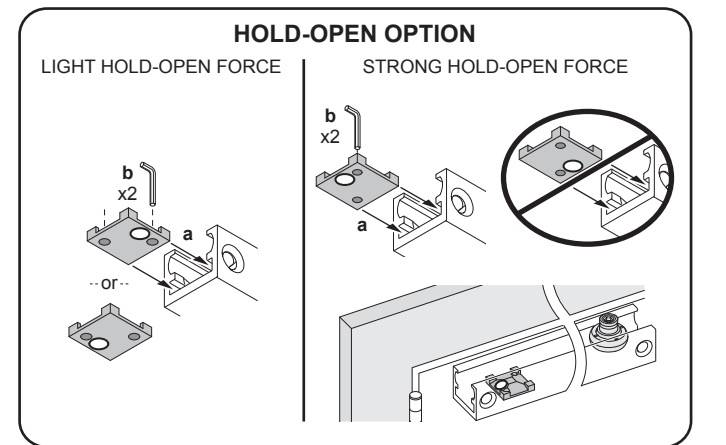
- 1a Closer is handed at factory and must match hand of door. Hand of closer appears in line with three regulating screws.
- 1b Prepare door & frame per proper template. Using fasteners provided, mount closer on door to proper dimensions.
- 1c Place arm on closer shaft & secure with shaft screw.
- 1d Remove end cap from track. Insert roller into track and replace end cap. Put track hole plugs into holes on top of track. Using fasteners provided, mount track on frame.
- 1e Loosen set screw in end of arm; open door to approximately 30° and pull arm over top of door. Connect arm to track roller and tighten set screw firmly.
- 1f Open door slightly and place cover on closer. Hold cover firmly against door while tightening cover screws securely with 3/32" hex wrench.

To increase backcheck intensity, turn regulating screw closest to the latch clockwise. **DO NOT USE ABRUPT BACKCHECK. DO NOT USE DOOR CLOSER AS A DOOR STOP.**



2 Regulation	4 Hold-Open Information
---------------------	--------------------------------

Door closer regulation is preset at the factory. Adjust as follows only if necessary: A "normal" closing time from a 90° open position is 5 to 7 seconds, evenly divided between main speed & latch speed (see figure below). Use a 3/32" hex wrench to adjust regulating screws. To slow main speed of door, turn regulating screw closest to shaft clockwise. To slow latch speed, turn regulating screw closest to hinge clockwise.



⚠ CAUTION ⚠

Improper installation or regulation may result in personal injury or property damage. Follow all instructions carefully. For questions, call LCN at 877 - 671 - 7011

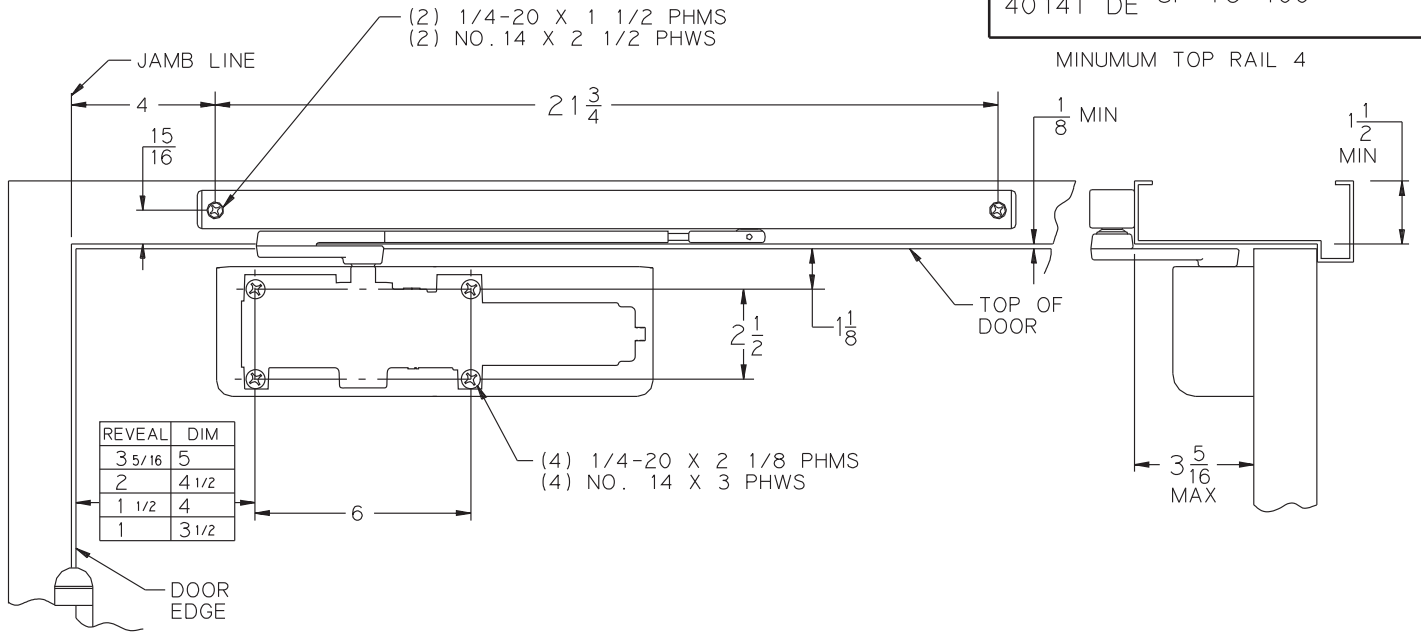
Customer Service

1-877-671-7011 www.allegion.com/us

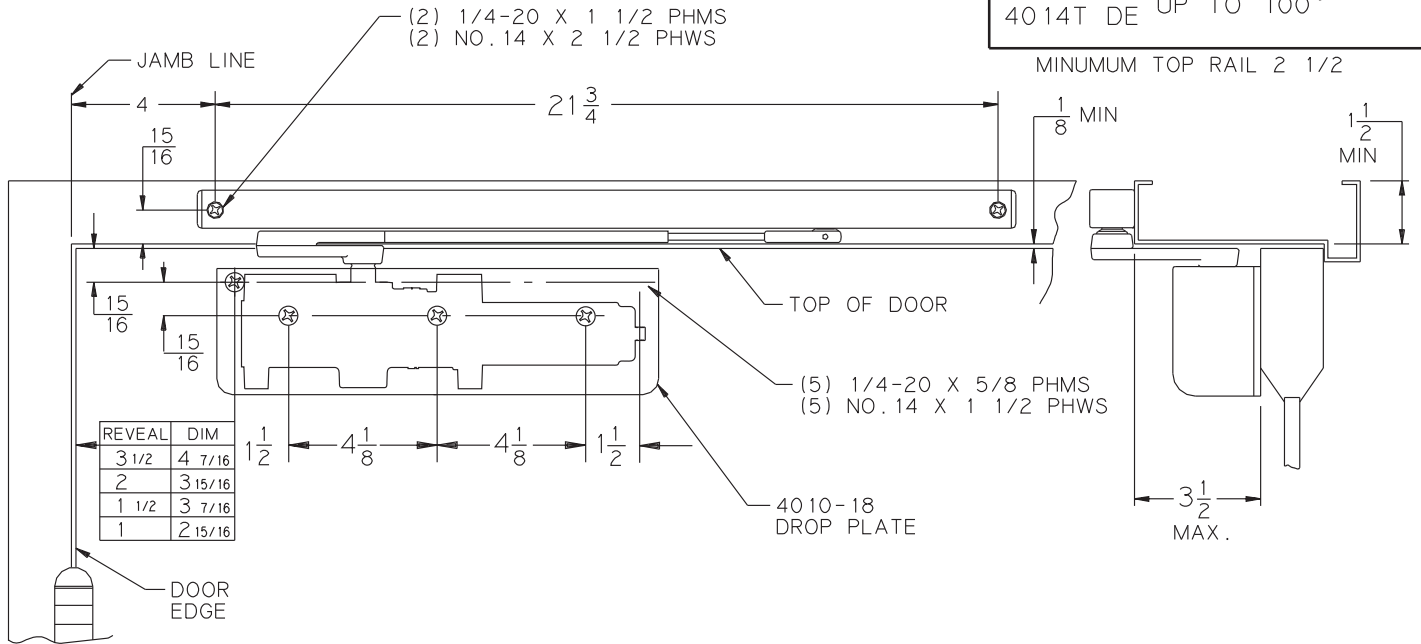


© Allegion 2020
Printed in U.S.A.
23652 Rev. 04/20-g

HINGE FACE MTG APPLIES TO
 4013T DE UP TO 100°
 4014T DE UP TO 100°



HINGE FACE ON 18 APPLIES TO
 4013T DE UP TO 100°
 4014T DE UP TO 100°




INCH	1/4	9/16	5/8	3/4	7/8	15/16	1 1/2	1 3/4	2	2 1/8	2 5/32	2 1/4	2 3/8	2 1/2	3	3 1/2	4	4 1/8	4 7/16	5	6	12 1/4	213/4
M.M.	6.4	14.3	15.9	19.1	22.2	23.8	38.1	44.5	50.8	54.0	54.8	57.2	60.3	63.5	76.2	88.9	101.6	104.8	112.7	127	152.4	311.2	552.5

NOTES:

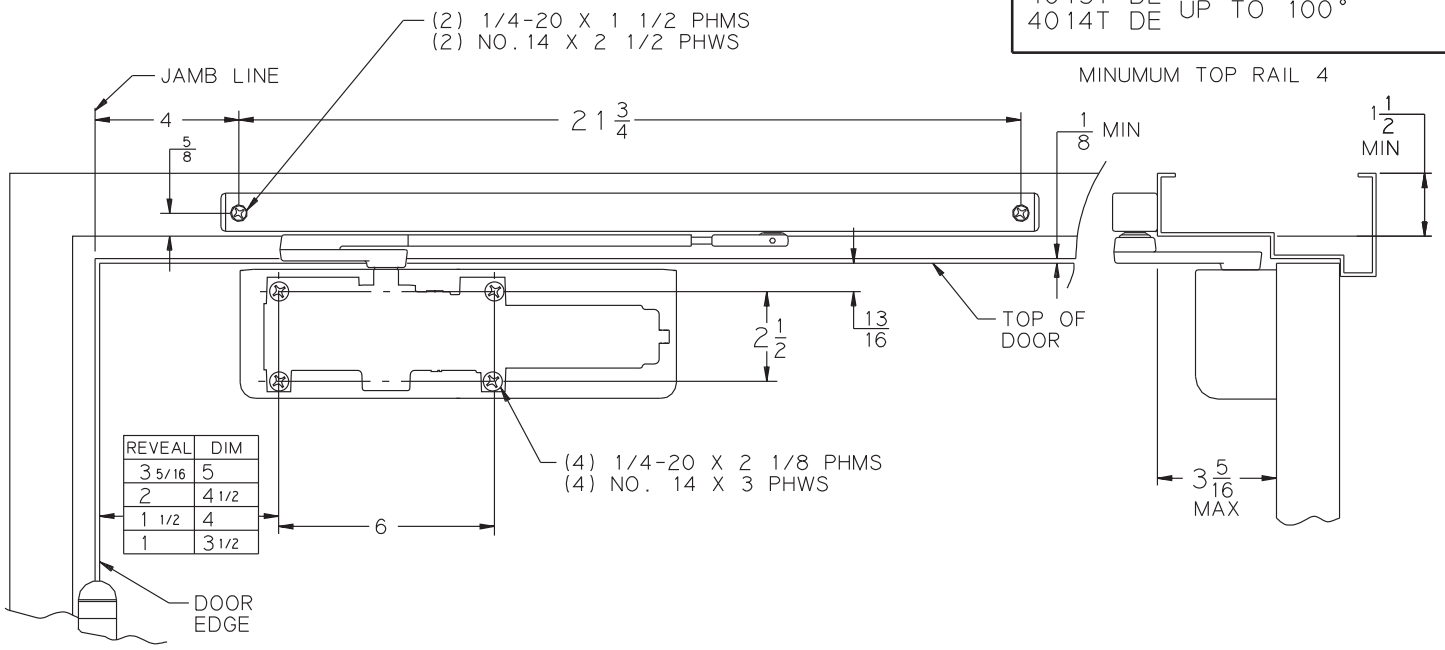
- 1 - RIGHT HAND DOOR AND CLOSER SHOWN - LEFT HAND OPPOSITE.
- 2 - CLOSER SIZE 12 1/4" X 3 1/2" X 2 5/32" (2 3/8" WITH DROP PLATE 4010-18)
- 3 - LOCATE CLOSER AND TRACK FROM CL OF PIVOT OR SWING CLEAR HINGE WHEN USED.
- 4 - FOR 8 3/4" OR LESS DOUBLE EGRESS FRAMES, REVEAL NOT TO EXCEED 3 5/16" (3 1/2" WITH PLATE)
- 5 - REINFORCING PER ANSI/SDI 100 RECOMMENDED FOR HOLLOW METAL DOORS AND FRAMES.

AUXILIARY STOP RECOMMENDED

DO NOT SCALE			
NO.	REVISIONS	BY	DATE
			SMOOTHIE CLOSER WITH TRACK AND DOUBLE EGRESS ARM. HINGE FACE MOUNTED ON DOOR OR DROP PLATE BY 2-19-93 LLZ APPR. 2-19-93 GSN
NO. 4010T-DE			

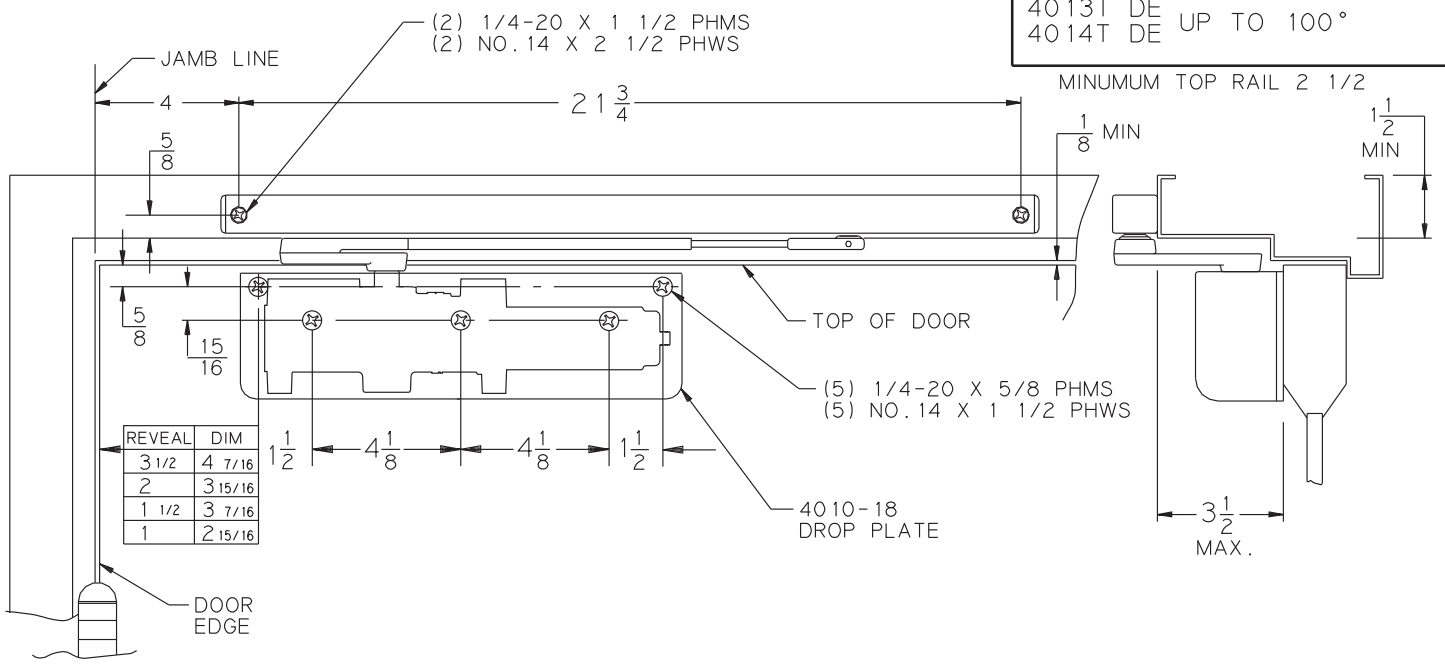
5/8 STEP DOWN FRAME

HINGE FACE MTG APPLIES TO
4013T DE UP TO 100°
4014T DE



5/8 STEP DOWN FRAME

HINGE FACE ON 18 APPLIES TO
4013T DE UP TO 100°
4014T DE



INCH	1/4	9/16	5/8	3/4	7/8	15/16	1 1/2	1 3/4	2	2 1/8	2 5/32	2 1/4	2 3/8	2 1/2	3	3 1/2	4	4 1/8	4 7/16	5	6	12 1/4	213/4
M.M.	6.4	14.3	15.9	19.1	22.2	23.8	38.1	44.5	50.8	54.0	54.8	57.2	60.3	63.5	76.2	88.9	101.6	104.8	112.7	127	152.4	311.2	552.5

NOTES:

- 1 - RIGHT HAND DOOR AND CLOSER SHOWN - LEFT HAND OPPOSITE.
- 2 - CLOSER SIZE 12 1/4" X 3 1/2" X 2 5/32" (2 3/8" WITH DROP PLATE 4010-18)
- 3 - LOCATE CLOSER AND TRACK FROM CL OF PIVOT OR SWING CLEAR HINGE WHEN USED.
- 4 - FOR 8 3/4" OR LESS DOUBLE EGRESS FRAMES, REVEAL NOT TO EXCEED 3 5/16" (3 1/2" WITH PLATE).
- 5 - REINFORCING PER ANSI/SD1 100 RECOMMENDED FOR HOLLOW METAL DOORS AND FRAMES.

AUXILIARY STOP RECOMMENDED

DO NOT SCALE				<p>SMOOTHEE CLOSER WITH TRACK AND DOUBLE EGRESS ARM, HINGE FACE MOUNTED ON DOOR OR DROP PLATE</p>
NO	REVISIONS	BY	DATE	
BY 2-19-93 LLZ APPR. 2-19-93 GSN				
				NO. 4010T-DE