

Electromechanical Automatic Operators



Overview

The LCN® electromechanical automatic operators are designed for durability and extended performance when used in primarily automatic applications. The electromechanical gearbox acts as a manual closer when the door is not automated or power is lost.

The low energy electromechanical Senior Swing (2800 and 9500 Series) is LCN's toughest operator—designed specifically for medium to heavy duty use in mostly automated applications. The Senior Swing offers a digital control suite that provides precise control of a large range of built-in functions.

The low energy Benchmark operator (9100 Series) is designed for low to medium use commercial applications, also for primarily automated applications. With its slim design, the Benchmark is great for interior door applications when aesthetics are a concern.

Features & Benefits

- UL Listed for self-closing doors without hold open, UL 325
- Tested and certified under ANSI 156.19
- ADA compliant
- Opening time from full close to backcheck is no faster than 3 seconds
- Less than 15 lbs. to open door manually
- On-board power supply (24VDC output) to power card readers, actuators and safety circuits

Additional Features

	2800 Series	9500 Series	9100 Series
Handed	Yes	Yes	No
Mounting options	Concealed 2810 (Single) 2850 (Sim. Pair) 2860 (Ind. Pair)	Surface 9530 (Push/Single) 9540 (Push/Single) 9550 (Sim. Pair) 9560 (Ind. Pair)	Surface 9130 (Pull) 9140 (Push) 9150 (Sim./Ind. Pair)
On board power supply	Yes	Yes	Yes
Digital control box	Yes	Yes	No
Header length	Variable - See LCN catalog	36" - 49" (single) 72" - 98" (double)	27" or 36" (single) 72" (double)
Maintains memory after power loss	Yes	Yes	Yes
Push 'n go	Yes	Yes	Yes
Power Boost	Yes	Yes	Yes
Simultaneous pair with single control box	Yes	Yes	No
Meets UL requirements	UL 325/228	UL 325/228	UL 325/228

All electromechanical operators are available in aluminum and dark bronze finishes.

Electrical Data

2800, 9500 Series

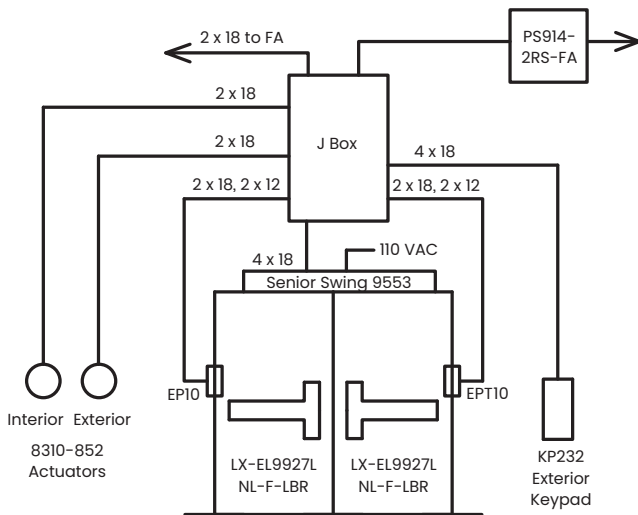
- 120 VAC 60Hz input at 2.5 AMPS (2800 and 9500 Series)
- 240 VAC 50/60 Hz at 2.5 AMPS (2800 and 9500 Series)
- 24 VDC output at 1.5 AMPS (protected by self-resetting thermal fuse)

9100 Series

- 120 VAC 60Hz input at 1 AMPS
- 24 VDC output at 2.5 AMPS

Sample Applications

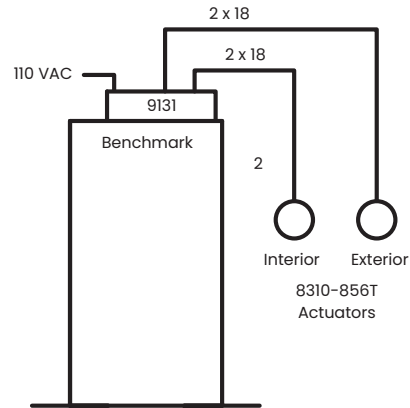
Secure Hospital Hallway



Operation: KP232 keypad exterior to signal EL latch retraction and enable exterior actuator through LX switches in panic device. Interior actuator always active.

Fire alarm to extend EL latch and disable automatic operator.

Restroom Doors



Operation: No latching at this door. For a single occupancy restroom. Either actuator will open door at any time.